



**OWNER'S MANUAL
MANUEL DU PROPRIÉTAIRE
MANUAL DEL PROPIETARIO**

YFM50RX

5YF-28199-64

PRINTED ON RECYCLED PAPER
IMPRIMÉ SUR PAPIER RECYCLÉ
IMPRESO EN PAPEL RECICLADO



YAMAHA MOTOR CO., LTD.

PRINTED IN JAPAN
2007.06-0.1x1 
(E,F,S)



OWNER'S MANUAL

YFM50RX

5YF-28199-64-E0

INTRODUCTION

Congratulations on your purchase of the Yamaha YFM50RX. This ATV represents the result of many years of Yamaha experience in the production of fine sporting, touring, and pacesetting racing machines. With the purchase of this Yamaha, you can now appreciate the high degree of craftsmanship and reliability that have made Yamaha a leader in these fields.

This manual will provide you with a good basic understanding of the features and operation of this ATV. **This manual includes important safety information. It provides information about special techniques and skills necessary to ride the ATV.** It also includes basic maintenance and inspection procedures. If you have any questions regarding the operation or maintenance of your ATV, please consult a Yamaha dealer.

AN IMPORTANT SAFETY MESSAGE:

- READ THIS MANUAL COMPLETELY BEFORE OPERATING YOUR ATV. MAKE SURE YOU UNDERSTAND ALL INSTRUCTIONS.
- PAY CLOSE ATTENTION TO THE WARNING AND CAUTION LABELS ON THE ATV.
- THIS ATV, AND ANY OTHER ATV OVER 50 cc, SHOULD NOT BE OPERATED BY A CHILD UNDER 6 YEARS OF AGE.

AN IMPORTANT NOTE TO PARENTS:

This ATV is not a toy. Before you let your child ride this ATV, you should understand the instructions and warnings in this Owner's Manual. Then be sure your child understands and will follow them. Children differ in skills, physical abilities and judgment. Some children may not be able to operate an ATV safely. Parents should supervise their child's use of the ATV at all times. Parents should permit continued use only if they determine that the child has the ability to operate the ATV safely.



Your ATV was delivered with an adjustable speed limiter. Yamaha recommends that all beginners start off with the speed limiter screw turned in to limit the amount of speed available while they learn. The speed limiter screw may be gradually turned out to increase maximum speed as the beginner becomes more familiar with operating the ATV.

If your child is a beginner or is inexperienced, he or she should take a training course.

IMPORTANT MANUAL INFORMATION

FAILURE TO FOLLOW THE WARNINGS CONTAINED IN THIS MANUAL CAN RESULT IN SERIOUS INJURY OR DEATH.

Particularly important information is distinguished in this manual by the following notations:

| | |
|--|---|
|  | <p>The Safety Alert Symbol means ATTENTION! BECOME ALERT! YOUR SAFETY IS INVOLVED!</p> |
|  | <p>Failure to follow WARNING instructions <u>could result in severe injury or death</u> to the ATV operator, a bystander, or a person inspecting or repairing the ATV.</p> |
| <p>CAUTION:</p> | <p>A CAUTION indicates special precautions that must be taken to avoid damage to the ATV.</p> |
| <p>NOTE:</p> | <p>A NOTE provides key information to make procedures easier or clearer.</p> |

* Product and specifications are subject to change without notice.

EBU17350

IMPORTANT NOTICE

EBU17370

Welcome to the Yamaha world of motor sports!

This ATV is designed and manufactured for use on UNPAVED surfaces only. It is unsafe to operate this ATV on any paved surface, paved street, paved road or motorway.

Please check your local riding laws and regulations before operating this ATV.

EBU17390

**YFM50RX
OWNER'S MANUAL
©2007 by Yamaha Motor Co., Ltd.
1st edition, June 2007
All rights reserved.
Any reprinting or unauthorized use
without the written permission of
Yamaha Motor Co., Ltd.
is expressly prohibited.
Printed in Japan.**

TABLE OF CONTENTS

| | | | |
|---|-----|--|------|
| SAFETY INFORMATION | 1-1 | Choke | 4-10 |
| | | Seat | 4-11 |
| LOCATION OF THE WARNING AND SPECIFICATION LABELS | 2-1 | PRE-OPERATION CHECKS | 5-1 |
| DESCRIPTION | 3-1 | Pre-operation check list | 5-1 |
| Left view | 3-1 | Fuel | 5-3 |
| Right view | 3-1 | Engine oil | 5-3 |
| Controls and instruments | 3-2 | Final gear oil | 5-3 |
| INSTRUMENT AND CONTROL | | Front and rear brakes | 5-3 |
| FUNCTIONS | 4-1 | Throttle lever | 5-4 |
| Main switch | 4-1 | Tires | 5-4 |
| Indicator light | 4-1 | Measuring the tire pressure | 5-5 |
| Handlebar switches | 4-2 | Tire wear limit | 5-6 |
| Engine stop switch with lanyard | 4-2 | Chassis fasteners | 5-6 |
| Throttle lever | 4-4 | Instruments, lights and switches | 5-6 |
| Speed limiter | 4-5 | Battery | 5-6 |
| Front brake lever | 4-6 | OPERATION..... | 6-1 |
| Rear brake lever | 4-6 | Starting a cold engine | 6-1 |
| Parking brake | 4-6 | Starting a warm engine | 6-3 |
| Drive select lever | 4-7 | Shifting | 6-3 |
| Fuel tank cap | 4-7 | Engine break-in | 6-5 |
| Fuel | 4-8 | Parking | 6-5 |
| Fuel cock | 4-9 | Parking on a slope | 6-6 |
| | | Accessories and loading | 6-7 |

| | | | |
|---|------|---|------|
| RIDING YOUR ATV | 7-1 | Adjusting the engine idling speed | 8-18 |
| GETTING TO KNOW YOUR ATV..... | 7-2 | Checking the throttle cable free play | 8-19 |
| RIDE WITH CARE AND GOOD JUDGEMENT..... | 7-2 | Valve clearance | 8-19 |
| BE CAREFUL WHERE YOU RIDE..... | 7-9 | Checking the front and rear brake shoes | 8-20 |
| TURNING YOUR ATV | 7-12 | Adjusting the front brake lever free play .. | 8-21 |
| CLIMBING UPHILL | 7-14 | Adjusting the rear brake lever free play ... | 8-23 |
| RIDING DOWNHILL..... | 7-16 | Checking and lubricating the cables | 8-24 |
| CROSSING A SLOPE..... | 7-17 | Checking and lubricating the front and rear brake levers | 8-25 |
| CROSSING THROUGH SHALLOW WATER | 7-18 | Checking the wheel hub bearings | 8-25 |
| RIDING OVER ROUGH TERRAIN | 7-20 | Lubricating the front knuckle pivots | 8-25 |
| SLIDING AND SKIDDING..... | 7-20 | Lubricating the steering shaft | 8-26 |
| WHAT TO DO IF..... | 7-21 | Battery | 8-26 |
| WHAT TO DO... | 7-21 | Replacing the fuse | 8-28 |
| PERIODIC MAINTENANCE AND MINOR REPAIR..... | 8-1 | Removing a wheel | 8-29 |
| Owner's manual and tool kit | 8-1 | Installing a wheel | 8-30 |
| Periodic maintenance chart for the emission control system | 8-3 | Troubleshooting | 8-31 |
| General maintenance and lubrication chart | 8-5 | Troubleshooting chart | 8-32 |
| Checking the spark plug | 8-8 | CLEANING AND STORAGE | 9-1 |
| Engine oil | 8-9 | Cleaning | 9-1 |
| Final gear oil | 8-12 | Storage | 9-2 |
| Cleaning the air filter element | 8-13 | SPECIFICATIONS | 10-1 |
| Cleaning the spark arrester | 8-17 | CONSUMER INFORMATION..... | 11-1 |
| Adjusting the carburetor | 8-18 | Identification numbers | 11-1 |



SAFETY INFORMATION

EBU17652

AN ATV IS NOT A TOY AND CAN BE HAZARDOUS TO OPERATE.

An ATV handles differently from other vehicles, including motorcycles and cars. A collision or roll-over can occur quickly, even during routine maneuvers such as turning and riding on hills or over obstacles, if you fail to take proper precautions.

SEVERE INJURY OR DEATH can result if you do not follow these instructions:

- Read this manual and all labels carefully and follow the operating procedures described.
- Never operate an ATV without proper training or instruction.
- Always follow the age recommendation:
 - A child under 6 years old should never operate an ATV with engine size greater than 50 cc.
 - A child under 12 years old should never operate an ATV with engine size greater than 70 cc.
 - A child under 16 years old should never oper-

- ate an ATV with engine size greater than 90 cc.
- Never allow a child under age 16 to operate an ATV without adult supervision, and never allow continued use of an ATV by a child if he or she does not have the abilities to operate it safely.
- Never carry a passenger on an ATV.
- Always avoid operating an ATV on any paved surfaces, including sidewalks, driveways, parking lots and paved streets.
- Never operate an ATV on any paved street, paved road or motorway.
- Watch carefully for other vehicles when operating on unpaved public streets or roads. Make sure you know your country's laws and regulations before you ride on unpaved public streets or roads.
- Never operate an ATV without wearing an approved motorcycle helmet that fits properly. You should also wear eye protection (goggles or face shield), gloves, boots, a long-sleeved shirt or a jacket, and long pants.
- Never consume alcohol or drugs before or while

operating this ATV.

- Never operate at speeds too fast for your skills or the riding conditions. Always go at a speed that is proper for the terrain, visibility, operating conditions, and your experience.
- Never attempt wheelies, jumps, or other stunts.
- Always inspect your ATV each time you use it to make sure it is in safe operating condition. Always follow the inspection and maintenance procedures and schedules described in this manual.
- Always keep both hands on the handlebars and both feet on the footrests of the ATV during operation.
- Always go slowly and be extra careful when operating on unfamiliar terrain. Always be alert to changing terrain conditions when operating the ATV.
- Never operate on excessively rough, slippery or loose terrain until you have learned and practiced the skills necessary to control the ATV on such terrain. Always be especially cautious on these kinds of terrain.
- Always follow proper procedures for turning as described in this manual. Practice turning at low speeds before attempting to turn at faster

speeds and never turn at excessive speeds.

- Never operate the ATV on hills too steep for the ATV or for your abilities. Practice on smaller hills before attempting larger hills.
- Always follow proper procedures for climbing hills as described in this manual. Check the terrain carefully before you start up any hill. Never climb hills with excessively slippery or loose surfaces. Shift your weight forward. Never open the throttle suddenly or make sudden gear changes. Never go over the top of a hill at high speed.
- Always follow proper procedures for going down hills and for braking on hills as described in this manual. Check the terrain carefully before you start down any hill. Shift your weight backward. Never go down a hill at high speed. Avoid going down a hill at an angle that would cause the vehicle to lean sharply to one side. Go straight down the hill where possible.
- Always follow proper procedures for crossing the side of a hill as described in this manual. Avoid hills with excessively slippery or loose surfaces. Shift your weight to the uphill side of the ATV. Never attempt to turn the ATV around on any hill until you have mastered the turning technique described in this manual on level ground.

- Avoid crossing the side of a steep hill if possible.
- Always use proper procedures if you stall or roll backwards when climbing a hill. If you stall or roll backwards, follow the special procedure for braking described in this manual. Dismount on the uphill side or to a side if pointed straight uphill. Turn the ATV around and remount, following the procedure described in this manual.
 - Always check for obstacles before operating in a new area.
 - Never attempt to operate over large obstacles, such as large rocks or fallen trees. Always follow proper procedures when operating over obstacles as described in this manual.
 - Always be careful when skidding or sliding. Learn to safely control skidding or sliding by practicing at low speeds and on level, smooth terrain. On extremely slippery surfaces, such as ice, go slowly and be very cautious in order to reduce the chance of skidding or sliding out of control.
 - Never operate an ATV in fast flowing water or in water deeper than that recommended in this manual. Remember that wet brakes may have reduced stopping ability. Test your brakes after leaving water. If necessary, apply them several

times to let friction dry out the linings.

- Always use the size and type of tires specified in this manual.
- Always maintain proper tire pressure as described in this manual.
- Never modify an ATV through improper installation or use of accessories.
- Never exceed the stated load capacity for an ATV. Cargo should be properly distributed and securely attached. Reduce speed and follow instructions in this manual for carrying cargo or pulling a trailer. Allow greater distance for braking.

TEACHING YOUR CHILD TO OPERATE THE ATV

EWB00080



Never let your child ride an ATV without close adult supervision (a child under 6 should not ride this ATV even with adult supervision).

Promptly correct your child if he or she begins to ride beyond his or her abilities and, if necessary, intervene by pulling the cord (lanyard) to stop the engine.

If the child rides beyond his or her abilities, or rides in terrain that is too difficult, he or she

may lose control of the ATV, causing an accident.

Introduce new riding areas slowly and make sure the riding area matches your child's skill level.

You must make the commitment to your child's proper use of the ATV. Your child must rely upon you to be sure he or she has the development, proper training, and proper equipment, as well as an appropriately sized ATV and an appropriate riding area.

Be sure your child is ready to learn how to ride

As a parent, your first step is to decide when your child has the strength, skills, and judgment to learn how to operate an ATV safely. Re-evaluate your child's readiness before every use; a child who is too tired or distracted should not be allowed to operate the ATV.

Be sure your child is properly trained

Your child should take a certified training course. Training will continue with you as the instructor, so you should be sure you thoroughly understand proper riding techniques before continuing to instruct your child. Go through this Owner's Manual

page by page with your child and be sure he or she understands how to operate the ATV properly.

Be sure your child is wearing all the proper safety equipment

Your child must always wear an approved motorcycle helmet that fits properly. Your child should also wear the safety equipment described in the Riding Your ATV section of this manual.

Choose an appropriate riding area

Select an area appropriate for your child to learn to ride. (See page 7-9.) Follow the instructions in the Riding Your ATV section of this manual. Choose a large, flat, unpaved road or area that is free of obstacles and away from other vehicles.

Supervise every use of the ATV

Because an adult must supervise every ATV operator under age 16, you should closely watch your child every time he or she uses the ATV. Be ready to intervene immediately if the child is not operating according to your guidelines. This ATV is fitted with an engine stop switch cord (lanyard) device that will let you stop the engine remotely as you walk behind the vehicle.

ENGINE STOP SWITCH CORD

This model has an engine stop switch cord (lanyard) designed for use by an adult supervising the child operating the ATV. When using the engine stop switch cord, be sure the speed limiter on the handlebar is adjusted to limit the ATV to a walking speed. (See page 4-5.)

1. Push the clip on the end of the engine stop switch cord under the engine shut-off switch (black button).
2. Put your fingers in the loop at the other end of the cord.
3. As your child is riding, walk behind the ATV, closely watching his or her actions as well as the path ahead.
4. If there is a potential hazard ahead or if your child is not riding correctly, pull firmly on the cord (lanyard) to stop the engine. Because the ATV will continue to roll for some distance, allow extra time and distance to pull the cord before a potentially hazardous situation might be encountered.

When your child has developed sufficient skill to no longer need you to follow with the cord, the cord can be stowed under the seat of the ATV. However, you must still closely supervise your child at all

times during ATV operation.

NOTE:

The ATV will not start without the clip in place. Be sure to remove the cord and store it in a safe place to prevent operation of the ATV when you are not around to supervise.

EWB00061

WARNING

- **Always turn off the engine when refueling.**
- **Do not refuel right after the engine has been running and is still very hot.**
- **Do not spill gasoline on the engine or exhaust pipe/muffler when refueling. Never refuel while smoking, or in the vicinity of sparks, open flames, or other sources of ignition such as the pilot lights of water heaters and clothes dryers. Gasoline can catch fire and you could be burned.**
- **When transporting the ATV in another vehicle, be sure it is kept upright and that the fuel cock is in the “OFF” position. Otherwise, fuel may leak out of the carburetor or fuel tank.**
- **Gasoline is poisonous. If you should swallow some gasoline or inhale a lot of gasoline vapor, or get some gasoline in your eyes,**

1

seek medical help immediately. If gasoline spills on your skin, wash with soap and water. If gasoline spills on your clothing, change your clothes.

death within a short time.

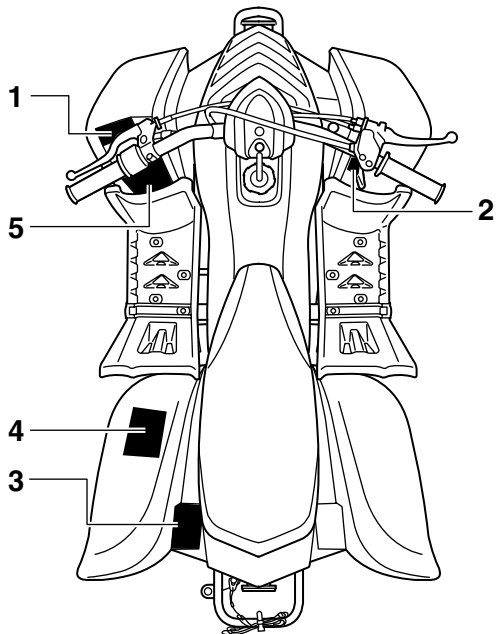


EWB00070

⚠ WARNING

Always operate your ATV in an area with adequate ventilation. Never start or run the engine in a closed area. Exhaust fumes are poisonous and may cause loss of consciousness and

LOCATION OF THE WARNING AND SPECIFICATION LABELS



Read and understand all of the labels on your ATV. These labels contain important information for safe and proper operation.

2

Never remove any labels from your ATV. If a label becomes difficult to read or comes off, request a replacement label from your Yamaha dealer.

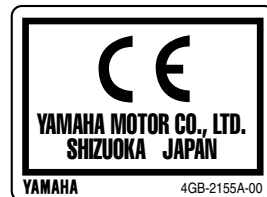
1 For Oceania



For Europe



2 For Europe



3 For Oceania



For Europe



4 For Oceania

⚠ WARNING

**IMPROPER TIRE PRESSURE OR OVERLOADING CAN CAUSE LOSS OF CONTROL.
LOSS OF CONTROL CAN RESULT IN SEVERE INJURY OR DEATH.**

OPERATING TIRE PRESSURE: Set with tires cold

- Recommended : FRONT : 20 kPa, {0.20 kgf/cm²} 2.9 psi
REAR : 20 kPa, {0.20 kgf/cm²} 2.9 psi
- Minimum : FRONT : 17 kPa, {0.17 kgf/cm²} 2.5 psi
REAR : 17 kPa, {0.17 kgf/cm²} 2.5 psi

- Never set tire pressure below minimum.
It could cause the tire to dislodge from the rim.


LOADING

- Maximum Vehicle Load : 40 kg, (88 lbs).
Includes weight of operator, cargo and accessories.

5YF-21696-00

For Europe

⚠

| | | |
|---|--|---|
| 20 kPa 0.20 kgf/cm ² 2.9 psi |  | 20 kPa 0.20 kgf/cm ² 2.9 psi |
|---|--|---|

| | |
|--|--|
| <p>(GB) Set with tires cold.</p> <p>(D) Bei kalten Reifen.</p> <p>(E) Ajuste con los neumáticos en frío.</p> <p>(F) Pneus à froid.</p> | <p>(I) Impostare a pneumatici freddi.</p> <p>(NL) Wanneer de banden koud zijn.</p> <p>(P) Regular com pneus frios.</p> <p>(S) Ställ in med kalla däck.</p> |
|--|--|

5YF-21696-M0

5 For Oceania

⚠ WARNING

Improper ATV use can result in SEVERE INJURY or DEATH.



ALWAYS USE AN APPROVED HELMET AND PROTECTIVE GEAR

NEVER USE ON PUBLIC ROADS

NEVER CARRY PASSENGERS

NEVER USE WITH DRUGS OR ALCOHOL

NEVER operate :

- without proper training or instruction.
- at speeds too fast for your skills or the conditions.
- on public roads-a collision can occur with another vehicle.
- with a passenger-passengers affect balance and steering and increase risk of losing control.

ALWAYS :


- use proper riding techniques to avoid vehicle overturns on hills and rough terrain and it turns.
- avoid paved surfaces-pavement may seriously affect handling and control.

LOCATE AND READ OWNER'S MANUAL.
FOLLOW ALL INSTRUCTIONS AND WARNINGS.

5FE-21568-11

5 For Europe

⚠



GB Before you operate this vehicle, read the owner's manual.

D Lesen Sie die Bedienungsanleitung bevor Sie dieses Fahrzeug fahren.

E Antes de conducir este vehículo, lea el Manual del Propietario.

F Lire le manuel du propriétaire avant d'utiliser ce véhicule.

I Prima di usare il veicolo, leggete il manuale di istruzioni.

NL Voor het gebruik van dit voertuig de handleiding met aandacht lezen.

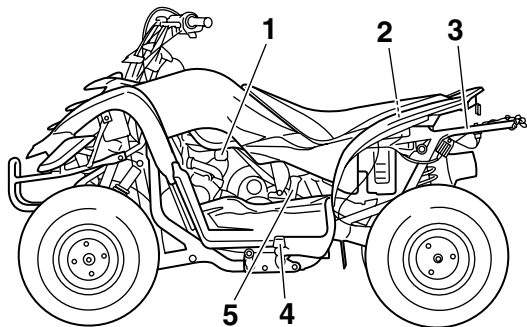
P Antes de utilizar este vehículo, lea o manual do proprietário.

S Innan du kör detta fordon, läs handboken.

5FK-21568-00

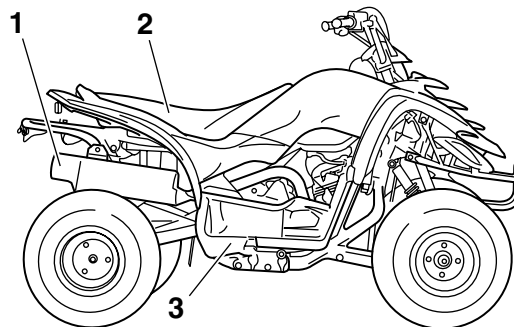
DESCRIPTION

Left view



1. Fuel cock
2. Fuse
3. Engine stop switch with cord (lanyard)
4. Footboard
5. Drive select lever

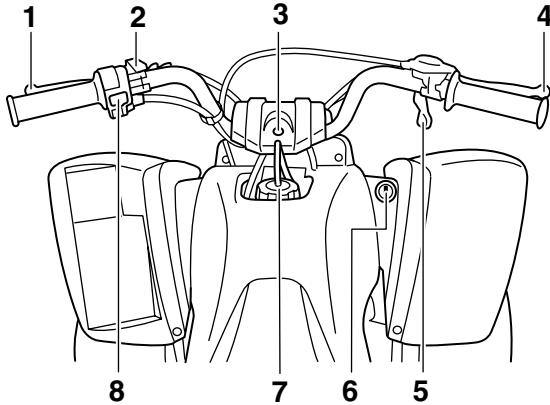
Right view



1. Spark arrester
2. Seat
3. Footboard

Controls and instruments

from the figures shown in this manual.



1. Rear brake lever
2. Parking brake
3. Neutral indicator light
4. Front brake lever
5. Throttle lever
6. Main switch
7. Fuel tank cap
8. Handlebar switches

NOTE: _____

The ATV you have purchased may differ slightly

INSTRUMENT AND CONTROL FUNCTIONS

EBU17740

Main switch

The positions of the main switch are as follows:

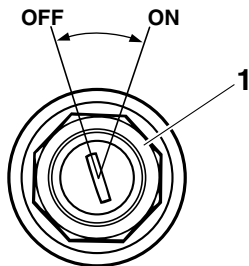
ON

4

All electrical systems are supplied with power, and the engine can be started. The key cannot be removed.

OFF

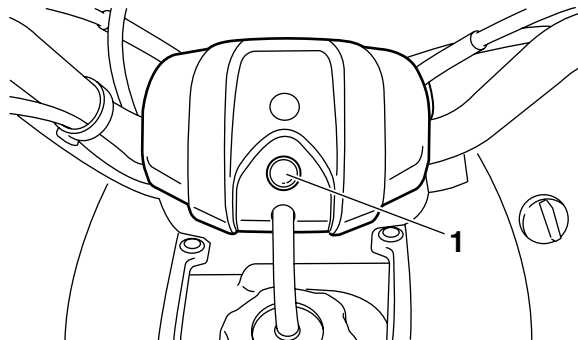
All electrical systems are off. The key can be removed.



1. Main switch

EBU17781

Indicator light



1. Neutral indicator light "N"

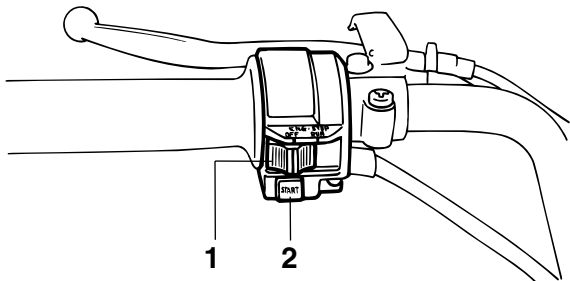
EBU17860

Neutral indicator light "N"

This indicator light comes on when the transmission is in the neutral position.

EBU18061

Handlebar switches



1. Engine stop switch "ENG. STOP"
2. Start switch "START"

EBU18070

Engine stop switch "ENG. STOP"

Set this switch to "RUN" before starting the engine. The engine stop switch controls the ignition and stops the engine when it is running. Use this switch to stop the engine in an emergency situation. The engine will not start or run when this switch is set to "OFF".

EBU18090

Start switch "START"

Push this switch to crank the engine with the starter.

ECB00050

CAUTION:

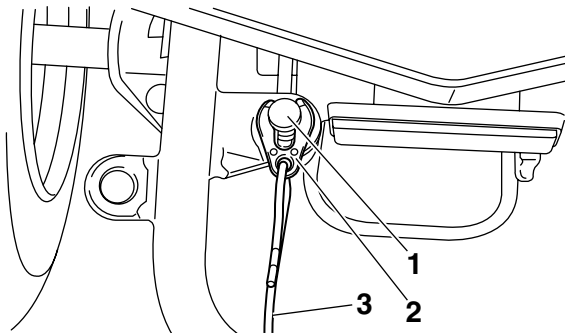
See the starting instructions on page 6-1 prior to starting the engine.

4

EBU18260

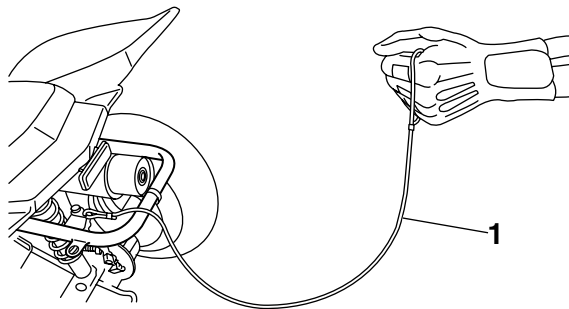
Engine stop switch with lanyard

The clip must be attached to the engine stop switch for the engine to run.



1. Engine stop switch
2. Clip
3. Lanyard

The lanyard should be held by putting your fingers in the loop as shown.



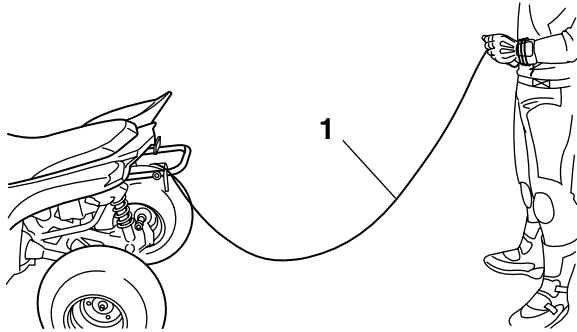
1. Lanyard

Should the ATV be separated from the parent by a distance longer than the lanyard length, the lanyard will pull out the clip and stop the engine.

Throttle lever

Once the engine is running, movement of the throttle lever will increase the engine speed.

Regulate the speed of the ATV by varying the throttle position. Because the throttle is spring-loaded, the ATV will decelerate, and the engine will return to an idle any time the hand is removed from the throttle lever.

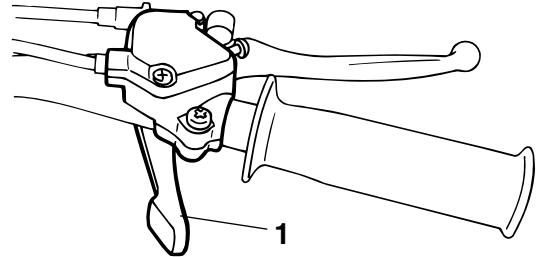


1. Lanyard

For further explanation of this switch and the lanyard, see “TEACHING YOUR CHILD TO OPERATE THE ATV” in the “SAFETY INFORMATION” section.

NOTE:

- The engine cannot be started with the clip removed.
- When your child has developed sufficient skill to no longer need you to follow with the lanyard, the lanyard can be stowed under the seat of the ATV. However, you must still closely supervise your child at all times during ATV operation.



1. Throttle lever

Before starting the engine, check the throttle to be sure it is operating smoothly. Make sure it returns to the idle position as soon as the lever is released.

⚠ WARNING

Malfunction of the throttle could make it difficult to speed up or slow down when you need to. This could cause an accident. Check the operation of the throttle lever before you start the engine. If the throttle does not work smoothly, check for the cause. Correct the problem before riding the ATV or consult a Yamaha dealer.

4

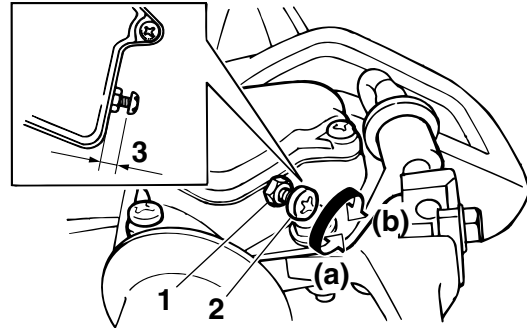
Speed limiter

Your ATV was delivered with an adjustable speed limiter. Yamaha recommends that all beginning riders start off with the speed limiter adjusting screw fully turned in to limit the amount of speed available while they learn.

The speed limiter keeps the throttle from fully opening, even when the throttle lever is pushed to the maximum. The adjusting screw may be gradually turned out as the beginner becomes more familiar with operating the ATV.

1. Loosen the locknut.
2. To increase the maximum engine power available and the maximum speed of the ATV, turn the adjusting screw in direction (a). To decrease the maximum engine power available and the maximum speed of the ATV, turn the adjusting screw in direction (b).

crease the maximum engine power available and the maximum speed of the ATV, turn the adjusting screw in direction (b).



1. Locknut
2. Adjusting screw
3. No more than 12 mm (0.47 in)

3. Tighten the locknut.

⚠ WARNING

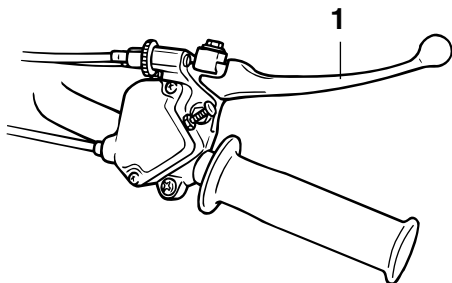
Improper adjustment of the speed limiter and throttle could cause throttle cable damage or improper throttle operation. The child could lose control, have an accident or be injured. Do not turn the adjusting screw out more than 12

mm (0.47 in) or the throttle cable could be damaged.

EBU18391

Front brake lever

The front brake lever is located on the right handlebar. To apply the front brake, pull the brake lever toward the handlebar grip.

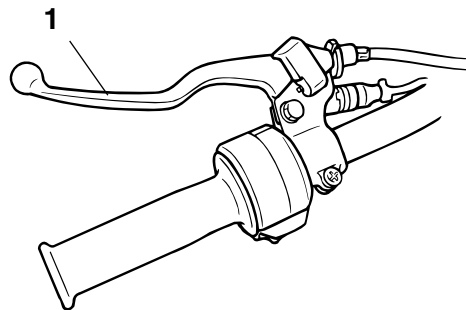


1. Front brake lever

EBU18401

Rear brake lever

The rear brake lever is located on the left handlebar. To apply the rear brake, pull the brake lever toward the handlebar grip.

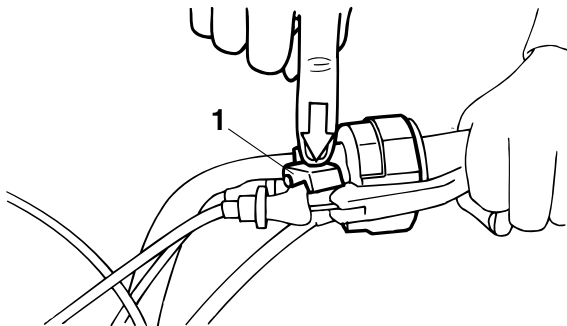


1. Rear brake lever

EBU18460

Parking brake

Use the parking brake before starting the engine or parking the ATV, especially on a slope. Apply the rear brake lever and push down the lock plate to apply the parking brake. Squeeze the rear brake lever to release the parking brake.



1. Parking brake lock plate

EWB00220

WARNING

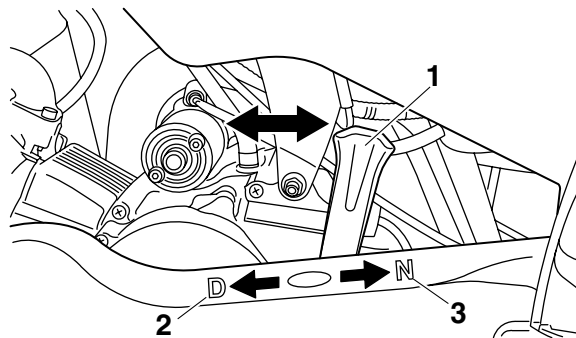
- Always set the parking brake before starting the engine. The ATV could start moving unexpectedly if the parking brake is not applied. This could cause loss of control or a collision.
- Always be sure you have released the parking brake before you begin to ride. The brake could overheat if you ride the ATV without releasing the parking brake. You could lose braking performance which could cause an accident. You could also wear out the brakes

prematurely.

EBU18630

Drive select lever

The drive select lever is located on the left side of the engine. Use the drive select lever to shift the transmission into drive or neutral.

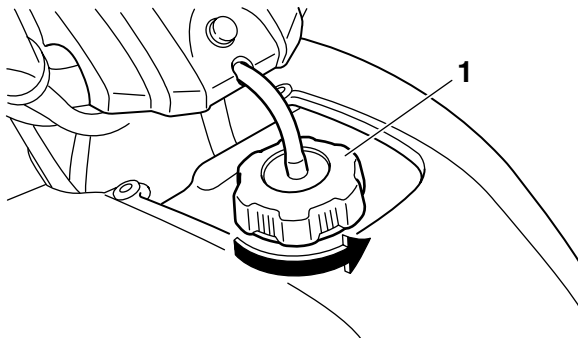


1. Drive select lever
2. Drive position
3. Neutral position

EBU18720

Fuel tank cap

Remove the fuel tank cap by turning it counter-clockwise.

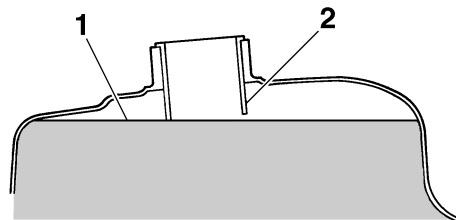


1. Fuel tank cap

EBU18752

Fuel

Make sure that there is sufficient fuel in the tank. Fill the fuel tank to the bottom of the filler tube as shown.



1. Fuel level
2. Filler tube

Recommended fuel:

UNLEADED GASOLINE ONLY

For Europe: Regular unleaded gasoline only with a research octane number of 91 or higher

Fuel tank capacity:

6.8 L (1.80 US gal) (1.50 Imp.gal)

Fuel reserve amount:

0.9 L (0.24 US gal) (0.20 Imp.gal)

NOTE: _____

If knocking or pinging occurs, use a different brand

of gasoline or higher octane grade.

ECB00070

CAUTION:

Use only unleaded gasoline. The use of leaded gasoline will cause severe damage to internal engine parts, such as the valves and piston rings, as well as to the exhaust system.

4

EWB00310

WARNING

- Do not overfill the fuel tank. Fuel expands when it heats up. If the fuel tank is overfilled, fuel could spill out due to heat from the engine or the sun.
- Be careful not to spill fuel, especially on the engine or exhaust pipe which can cause a fire and severe injury. Wipe up any spilled fuel immediately.
- Do not refuel right after the engine has been running and is still very hot.
- Be sure the fuel tank cap is closed securely.

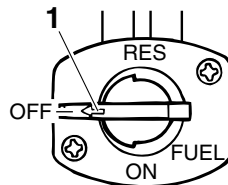
EBU18820

Fuel cock

The fuel cock supplies fuel from the tank to the carburetor while also filtering it.

The fuel cock lever positions are explained as follows and shown in the illustrations.

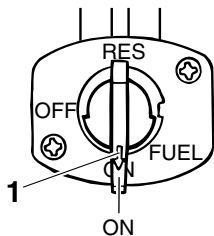
OFF



1. Arrow mark positioned over "OFF"

With the fuel cock lever in this position, fuel will not flow. Always turn the fuel cock lever to this position when the engine is not running.

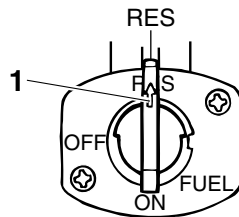
ON



1. Arrow mark positioned over "ON"

With the fuel cock lever in this position, fuel flows to the carburetor. Turn the fuel cock lever to this position when starting the engine and riding.

RES



1. Arrow mark positioned over "RES"

This indicates reserve. With the fuel cock lever in this position, the fuel reserve is made available. Turn the fuel cock lever to this position if you run out of fuel while riding. When this occurs, refuel as soon as possible and be sure to turn the fuel cock lever back to "ON"!

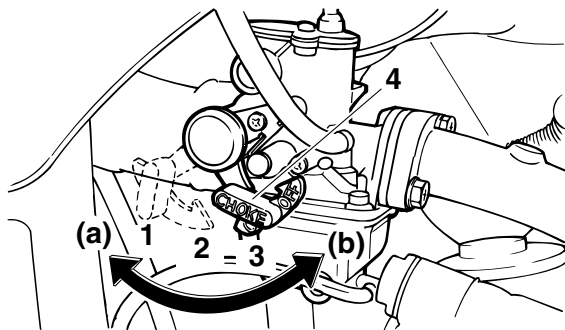
EBU18860

Choke

The choke is used to start a cold engine. Move the choke in direction (a) to turn on the choke.

Move the choke in direction (b) to turn off the choke.

See the “Starting a cold engine” section on page 6-1 for proper operation.



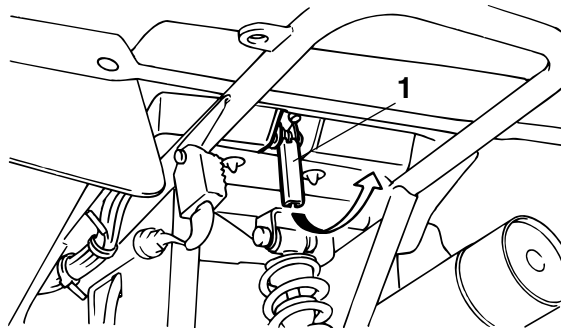
1. Fully open “ON”
2. Half open (warming up position)
3. Closed “OFF”
4. Choke

EBU18870

Seat

To remove the seat

Pull the seat lock lever upward and pull up the seat at the rear.



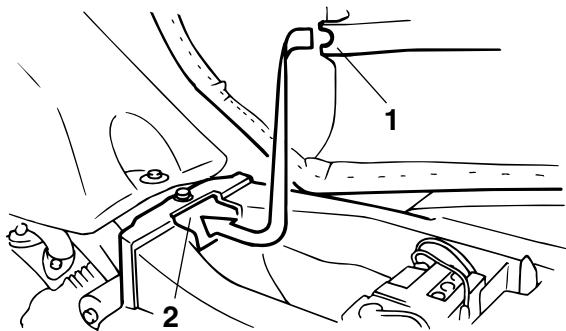
1. Seat lock lever

To install the seat

Insert the projection on the front of the seat into the seat holder and push down on the seat at the rear.

NOTE:

Make sure that the seat is securely fitted.



- 1. Projection
- 2. Seat holder

PRE-OPERATION CHECKS

EBU19222

Pre-operation check list

Before operating this ATV, be sure to check the items listed in the following table.

EWB00480


WARNING

Always inspect your ATV each time you use it to make sure it is in safe operating condition. Always follow the inspection and maintenance procedures and schedules described in the Owner's Manual. Failure to inspect increases the possibility of an accident or equipment damage.

NOTE:

The maintenance of some items in the table has to be performed by a Yamaha dealer. Refer to the periodic maintenance charts on page 8-3 to determine which service should be performed by a Yamaha dealer.

| ITEM | ROUTINE | PAGE |
|-----------------------|---|-----------------|
| Fuel | <ul style="list-style-type: none"> • Check fuel level in fuel tank, and add recommended fuel if necessary. • Check fuel line for leakage. Correct if necessary. | 4-8, 5-3 |
| Engine oil | <ul style="list-style-type: none"> • Check oil level in engine, and add recommended oil to specified level if necessary. • Check ATV for oil leakage. Correct if necessary. | 5-3, 8-9 |
| Final gear oil | <ul style="list-style-type: none"> • Check ATV for oil leakage. Correct if necessary. | 5-3, 8-12 |
| Front brake | <ul style="list-style-type: none"> • Check operation, and correct if necessary. • Lubricate cable if necessary. • Check lever free play, and adjust if necessary. | 5-3, 8-20, 8-21 |

| ITEM | ROUTINE | PAGE |
|---------------------------------|--|-----------------|
| Rear brake | <ul style="list-style-type: none"> • Check operation, and correct if necessary. • Lubricate cable if necessary. • Check lever free play, and adjust if necessary. | 5-3, 8-20, 8-23 |
| Throttle lever | <ul style="list-style-type: none"> • Make sure that operation is smooth. Lubricate cable and lever housing if necessary. • Check cable free play, and adjust if necessary. | 5-4, 8-19 |
| Control cables | <ul style="list-style-type: none"> • Make sure that operation is smooth. Lubricate if necessary. | 8-24 |
| Wheels and tires | <ul style="list-style-type: none"> • Check wheel condition, and replace if damaged. • Check tire condition and tread depth. Replace if necessary. • Check air pressure. Correct if necessary. | 5-4, 5-5, 5-6 |
| Brake levers | <ul style="list-style-type: none"> • Make sure that operation is smooth. Lubricate lever pivoting points if necessary. | 8-25 |
| Chassis fasteners | <ul style="list-style-type: none"> • Make sure that all nuts, bolts and screws are properly tightened. | 5-6 |
| Instruments and switches | <ul style="list-style-type: none"> • Check operation, and correct if necessary. | 5-6 |
| Battery | <ul style="list-style-type: none"> • Check electrolyte level. Fill with distilled water if necessary. | 5-6, 8-26 |

Fuel

Make sure that there is sufficient fuel in the tank. (See page 4-8.)

EWB00520

WARNING

- **Do not overfill the fuel tank. Fuel expands when it heats up. If the fuel tank is overfilled, fuel could spill out due to heat from the engine or the sun.**
- **Be careful not to spill fuel, especially on the engine or exhaust pipe which can cause a fire and severe injury. Wipe up any spilled fuel immediately.**
- **Do not refuel right after the engine has been running and is still very hot.**
- **Be sure the fuel tank cap is closed securely.**

5

EBU19560

Engine oil

Make sure that the engine oil is at the specified level. Add oil as necessary. (See page 8-9.)

EBU19590

Final gear oil

Make sure that the final gear oil is at the specified level. Add oil as necessary. (See page 8-12.)

EBU19650

Front and rear brakes

Brake levers

- Check for correct free play in the brake levers. If the free play is incorrect, adjust it. (See pages 8-21 and 8-23.)
- Check operation of the levers. They should move smoothly and there should be a firm feeling when the brake is applied. If not, have the ATV checked by a Yamaha dealer.

Brake operation

Test the brakes at slow speed after starting out to make sure they are working properly. If the brakes do not provide proper braking performance, check the brakes for wear. (See page 8-20.)

EWB00570

WARNING

Always check the brakes at the start of every ride. Do not ride the ATV if you find any problem with the brakes or you could lose braking ability, which could lead to an accident. If a problem cannot be corrected by the adjustment procedures provided in this manual, have the ATV checked by a Yamaha dealer.

EBU19761

Throttle lever

Check the operation of the throttle lever. It must open smoothly and spring back to the idle position when released. Have a Yamaha dealer correct if necessary.

EBU19791

Tires

EWB00601

WARNING

Use of improper tires on this ATV, or operation of this ATV with improper or uneven tire pressure, may cause loss of control, increasing your risk of accident.

Pay attention to the following.

- The tires listed below have been approved by Yamaha Motor Co., Ltd. for this model. Other tire combinations are not recommended.

Front:

Manufacturer/model:
DUNLOP/KT145

Size:
AT16 x 7-7

Type:
Tubeless

Rear:

Manufacturer/model:
DUNLOP/KT145

Size:
AT16 x 8-7

Type:
Tubeless

- The tires should be set to the recommended pressure:

Recommended tire pressure:

Front:
20 kPa (2.9 psi) (0.20 kgf/cm²)

Rear:
20 kPa (2.9 psi) (0.20 kgf/cm²)

- Check and adjust tire pressures when the tires are cold.
- Tire pressures must be equal on both sides.
- Tire pressure below the minimum specified could cause the tire to dislodge from the rim under severe riding conditions.

Minimum tire pressure:

Front:
17 kPa (2.5 psi) (0.17 kgf/cm²)

Rear:
17 kPa (2.5 psi) (0.17 kgf/cm²)

- Use no more than the following pressures when seating the tire beads.

Maximum tire seating pressure:

Front:

250 kPa (36 psi) (2.5 kgf/cm²)

Rear:

250 kPa (36 psi) (2.5 kgf/cm²)

Higher pressures and fast inflation may cause a tire to burst. Inflate the tires very slowly and carefully.

5

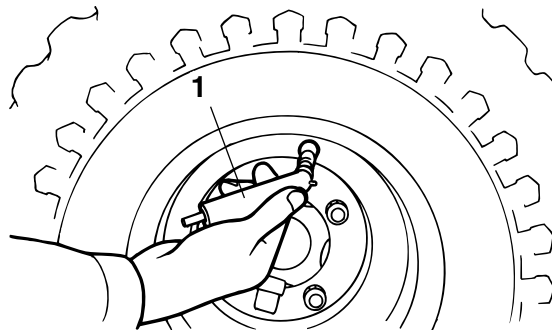
EBU19820

Measuring the tire pressure

Use the low-pressure tire gauge.

NOTE:

The low-pressure tire gauge is included as standard equipment. Make two measurements of the tire pressure and use the second reading. Dust or dirt in the gauge could cause the first reading to be incorrect.



1. Low-pressure tire gauge

Set the tire pressure when the tires are cold. Set the tire pressures to the following specifications:

Recommended pressure:

Front

20 kPa (2.9 psi) (0.20 kgf/cm²)

Rear

20 kPa (2.9 psi) (0.20 kgf/cm²)

Minimum:

Front

17 kPa (2.5 psi) (0.17 kgf/cm²)

Rear

17 kPa (2.5 psi) (0.17 kgf/cm²)

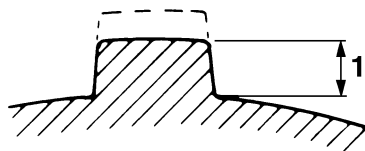
Maximum:

Front

23 kPa (3.3 psi) (0.23 kgf/cm²)

Rear

23 kPa (3.3 psi) (0.23 kgf/cm²)



1. Tire wear limit

EBU19840

Chassis fasteners

Make sure that all nuts, bolts and screws are properly tightened.

EBU19850

Instruments, lights and switches

Check that all instruments, lights and switches are working properly. Correct if necessary.

EBU19860

Battery

Check the fluid level in the battery. Fill with distilled water if necessary. (See page 8-26.)

EBU19830

Tire wear limit

Replace the tire when the tire groove decreases to 3 mm (0.12 in).

OPERATION

Read the Owner's Manual carefully before riding the ATV.

EWB00630

WARNING

Read the Owner's Manual carefully to become familiar with all controls in order to help prevent any loss of control, which could cause an accident or injury. If there is a control or function you do not understand, ask your Yamaha dealer.

6

EBU20241

Starting a cold engine

EWB00640

WARNING

Always make sure all control cables work smoothly before you begin riding in cold weather. If the control cables are frozen or do not work smoothly, you could be unable to control the ATV, which could lead to an accident or collision.

ECB00150

CAUTION:

See the "Engine break-in" section on page 6-5 prior to operating the engine for the first time.

1. Set the parking brake.
2. Turn the fuel cock to "ON".
3. Turn the main switch to "ON" and the engine stop switch to "RUN".
4. Shift the transmission into neutral. The neutral indicator light should come on. If the indicator light does not come on, have a Yamaha dealer check the electrical circuit.

NOTE:

This model is equipped with an ignition circuit cut-off system. The engine can be started under the following conditions.

- The transmission is in neutral.
- The rear brake lever is applied with the drive select lever in the drive position. However, it is recommended to shift into neutral before starting the engine.

5. Use the choke in reference to the figure:

Position (1):

- Cold engine start with ambient temperature below 30 °C (90 °F).

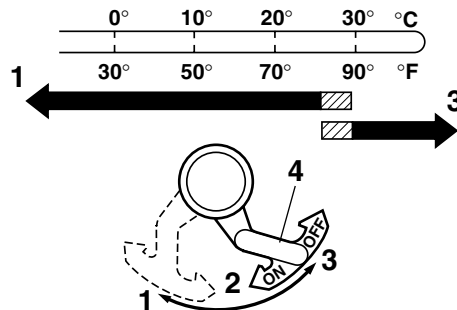
Position (2):

- Warming up position.

Position (3):

- Cold engine start with ambient temperature above 25 °C (80 °F).

Ambient temp./choke position



1. Fully open "ON"
2. Half open (warming up position)
3. Closed "OFF"
4. Choke

6. Completely close the throttle lever and start the engine by pushing the start switch.

NOTE: _____

If the engine fails to start, release the start switch, then push it again. Pause a few seconds before the next attempt. Each cranking should be as short as possible to preserve battery energy. Do not

crank the engine more than 10 seconds on each attempt.

7. If the engine is started with the choke in position (1), the choke should be returned to position (2) to warm up the engine. If the engine is started with the choke in position (2), keep the choke in this position to warm up the engine.

ECB00160

CAUTION: _____

For maximum engine life, always warm the engine up before starting off. Never accelerate hard when the engine is cold!

8. Continue warming up the engine until it idles smoothly, then return the choke to position (3) before riding.

NOTE: _____

The engine is warm when it responds normally to the throttle with the choke turned off.

EBU20301

Starting a warm engine

Follow the same procedure as for starting a cold engine, with the exception that the choke is not required when the engine is warm. Instead, start the engine with the throttle slightly open.

EBU27880

Shifting

This ATV has an automatic, centrifugal clutch.

To shift into the drive position, release the throttle lever and apply the parking brake.

To shift into neutral, stop the ATV by releasing the throttle lever and applying the brakes smoothly and evenly.

EBU20630

To start out and accelerate

1. Release the throttle lever.

ECB00210

CAUTION: _____

Always close the throttle before shifting the transmission into drive, otherwise damage to the engine and drive train may result.

2. Apply the parking brake. (See page 6-5.)
3. Shift the transmission into drive.

⚠ WARNING

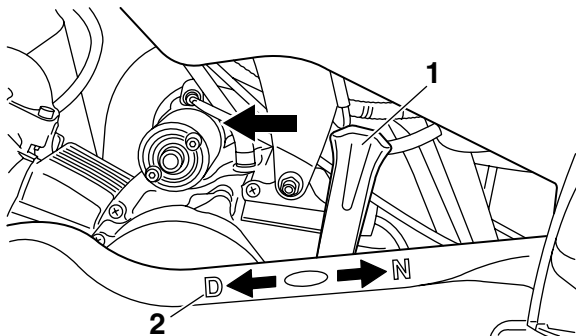
Always open the throttle gradually. Opening the throttle abruptly would increase the chance of an accident. It could make the ATV wheelie or overturn.

To decelerate

When slowing down or stopping, release the throttle and apply the brakes smoothly and evenly. Improper use of the brakes can cause the tires to lose traction, reducing control and increasing the possibility of an accident.

CAUTION:

Even with the transmission in the neutral position, do not coast for long periods of time with the engine off, and do not tow the ATV for long distances. The transmission is properly lubricated only when the engine is running. Inadequate lubrication may damage the transmission.



1. Drive select lever
2. Drive position

NOTE:

Before shifting the transmission into drive, be sure to apply the parking brake. The engine will stop if you attempt to shift into drive without applying the parking brake first.

4. Squeeze the rear brake lever to release the parking brake.
5. Gradually open the throttle while slowly releasing the rear brake lever.

Engine break-in

NOTE:

- For ATVs equipped with an odometer or an hour meter, follow the figures given in km (mi) or the figures given in hours.
- For ATVs not equipped with an odometer or hour meter, follow the figures given in hours.

There is never a more important period in the life of your engine than the first 320 km (200 mi) or 20 hours of riding. For this reason, you should read the following material carefully.

Since the engine is brand new, do not put an excessive load on it for the first 320 km (200 mi) or 20 hours. The various parts in the engine wear and polish themselves to the correct operating clearances. During this period, prolonged full-throttle operation or any condition that might result in engine overheating must be avoided.

0–160 km (0–100 mi) or 0–10 hours

Avoid prolonged operation above 1/2 throttle. Vary the speed of the ATV regularly. Do not operate it at one set throttle position.

160–320 km (100–200 mi) or 10–20 hours

Avoid prolonged operation above 3/4 throttle. Rev the engine freely, but do not use full throttle at any time.

320 km (200 mi) or 20 hours and beyond

The ATV can now be operated normally.

ECB00220

CAUTION:

If any engine trouble should occur during the engine break-in period, immediately have a Yamaha dealer check the ATV.

EBU26770

Parking

When parking the ATV, stop the engine, shift the drive select lever into the drive position, apply the parking brake, and then turn the fuel cock to “OFF”.

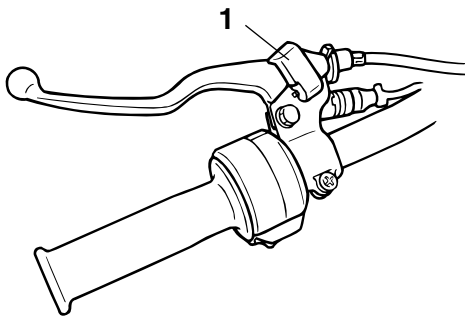
Parking on a slope

WARNING

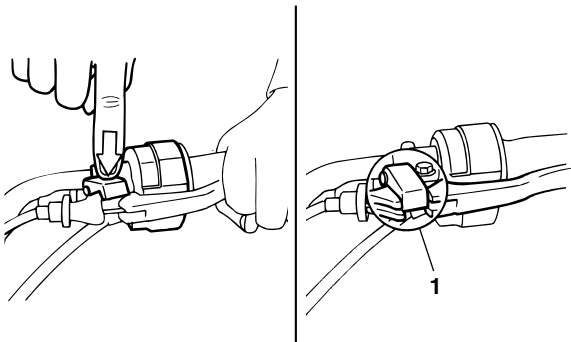
Avoid parking on hills or other inclines. Parking on a hill or other incline could cause the ATV to roll out of control, increasing the chance of an accident. If you must park on an incline, place the ATV transversely across the incline, shift the shift lever to the drive position, stop the engine, apply the parking brake, and then block the front and rear wheels with rocks or other objects.

Do not park the ATV at all on hills that are so steep you could not walk up them easily.

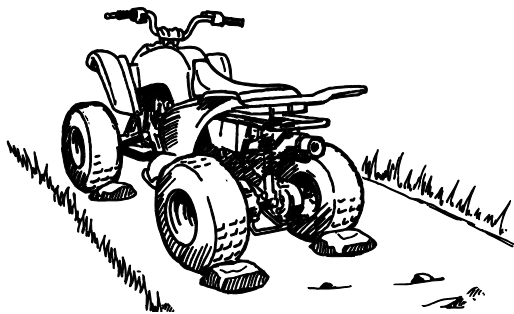
1. Bring the ATV to a stop by applying the brakes in the drive position.
2. Stop the engine.
3. With the rear brake lever applied, apply the parking brake and slowly release the brake lever.



1. Parking brake lock plate



1. Locked position



EBU20910

Accessories and loading

EBU20920

Accessories

Accessories can affect the handling and control of your ATV. Keep the following in mind when considering an accessory or operating an ATV which has accessories.

- Choose only accessories designed for your ATV. Your Yamaha dealer has a variety of genuine Yamaha accessories. Other accessories may also be available on the market. However, it is not possible for Yamaha to test all non-

Yamaha accessories, nor control over their quality or suitability. Choose a genuine Yamaha accessory, or one that is equivalent in design and quality.

- Accessories should be rigidly and securely mounted. An accessory which can shift position or come off while you are riding could affect your ability to control the ATV.
- Do not mount an accessory where it could interfere with your ability to control the ATV. Examples include (but are not limited to) a heavy or bulky object attached to the handlebars which could make steering difficult, an accessory that limits your ability to move around on the seat, or one that limits your view.
- Use extra caution when riding an ATV with accessories. The ATV may handle differently than it does without accessories.

EBU20960

Loading

As originally equipped, this ATV is not designed to carry cargo or tow a trailer. If you choose to add accessories so that you can carry cargo or tow a trailer, you must use common sense and good judgment as the stability and handling of an ATV can be changed. When adding accessories, keep

the following points in mind:

- Never exceed the weight limits shown. An overloaded ATV can be unstable.

MAXIMUM LOADING LIMIT

ATV loading limit (total weight of rider, cargo, accessories, and tongue):

40.0 kg (88 lb)

- If you are carrying cargo and towing a trailer, include the tongue weight in the maximum ATV load limit.
- Load cargo on the carriers as close to the center of the ATV as possible. Put cargo at the rear of the front carrier, at the front of the rear carrier, and center it.
- Tie down cargo securely to the carriers. Make sure cargo in the trailer cannot move around. A shifting load can cause an accident.
- Make sure the load does not interfere with controls or your ability to see where you are going.
- Ride more slowly than you would without a load. The more weight you carry, the slower you should go.
- Allow more braking distance. A heavier ATV takes longer to stop.
- Avoid making sharp turns unless at very slow

speeds.

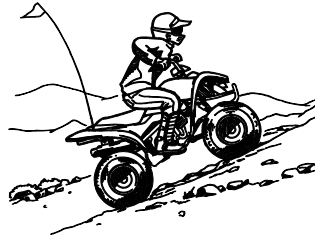
- Avoid hills and rough terrain. Choose terrain carefully. Added weight affects the stability and handling of the ATV.

EWB00820



Never exceed the stated load capacity for this ATV. Overloading this ATV or carrying or towing cargo improperly could cause changes in ATV handling which could lead to an accident. Cargo should be properly distributed and securely attached. Reduce speed when carrying cargo or pulling a trailer. Allow greater distance for braking.

RIDING YOUR ATV



7

GETTING TO KNOW YOUR ATV

This ATV is for recreation use. This section, Riding your ATV, provides general ATV riding instructions for recreational riding. The skills and techniques described in this section, however, are appropriate for all types of riding. Riding your ATV requires special skills acquired through practice over a period of time. Take the time to learn the basic techniques well before attempting more difficult maneuvers.

Riding your new ATV can be a very enjoyable activity, providing you with hours of pleasure. But it is essential to familiarize yourself with the operation of the ATV to achieve the skill necessary to enjoy riding safely. Before you begin to ride, be sure you have read this Owner's Manual completely and understand the operation of the controls. Pay particular attention to the safety information on pages 1-1–1-6. Please also read all caution and warning labels on your ATV.

RIDE WITH CARE AND GOOD JUDGEMENT

Get training if you are inexperienced.

Beginners should get training from a certified instructor.

Become familiar with this ATV at slow speeds first, even if you are an experienced operator. Do not attempt to operate at maximum performance until you are totally familiar with the ATV's handling and performance characteristics.

EWB01380

WARNING

Never operate this ATV without proper instruction. Beginning and inexperienced operators should regularly practice the skills and the operating techniques described in this Owner's Manual. The risk of an accident is greatly increased if the operator does not know how to operate the ATV properly in different situations and on different types of terrain.

Riding your ATV requires skills acquired through practice over a period of time.

Take the time to learn the basic techniques well before attempting more difficult maneuvers.

Not recommended for children under 6 years of age.

EWB01750

⚠ WARNING

A child under 6 should never operate an ATV with engine size greater than 50 cc. Use by children of ATVs that are not recommended for their age can lead to severe injury or death of the child.



This ATV is designed to carry operator only – passengers prohibited.

EWB01400

⚠ WARNING

Never carry a passenger. The long seat is to allow the operator to shift position as needed during operation. It is not for carrying passengers. Carrying a passenger on this ATV greatly reduces your ability to balance and control this ATV. It could cause an accident, resulting in harm to you and/or your passenger.

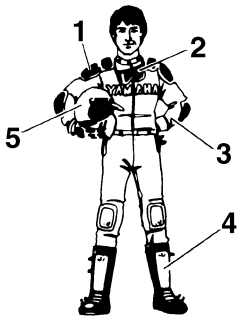


Apparel

Always wear an approved motorcycle helmet that fits properly.

You should also wear:

- eye protection (goggles or face shield)
- gloves
- boots
- long-sleeved shirt or jacket
- long pants



1. Protective clothing
2. Goggles
3. Gloves
4. Boots
5. Helmet

EWB01410

WARNING

Never operate this ATV without wearing an approved motorcycle helmet, eye protection and protective clothing. Operating without an approved motorcycle helmet increases your chances of a severe head injury or death in the event of an accident. Operating without eye protection can result in an accident and increases your chances of a severe injury in the event of an accident. Operating without protective clothing increases your chances of severe injury in the event of an accident.

Do not operate after consuming alcohol or drugs.

The operator's performance capability is reduced by the influence of alcohol or drugs.

7



EWB01420

⚠ WARNING

7

Never consume alcohol or drugs before or while driving this ATV.

Pre-operation checks

Always perform the pre-operation checks listed on page 5-1 before riding for proper care of the ATV and to ensure safety.

EWB01430

⚠ WARNING

Always inspect your ATV each time you use it to make sure the ATV is in safe operating condition. Always follow the inspection and maintenance procedures and schedules described

in the Owner's Manual. Failure to inspect the ATV before operating or failure to properly maintain the ATV increases the possibility of an accident or equipment damage.

EWB01440

⚠ WARNING

Always use the size and type tires specified in the Owner's Manual for this ATV on page 5-4. Always maintain proper tire pressure as described in the Owner's Manual on page 5-5. Use of improper tires on this ATV, or operation of this ATV with improper or uneven tire pressure, may cause loss of control, increasing your risk of an accident.

Do not operate at speeds too fast for your skills or the conditions.

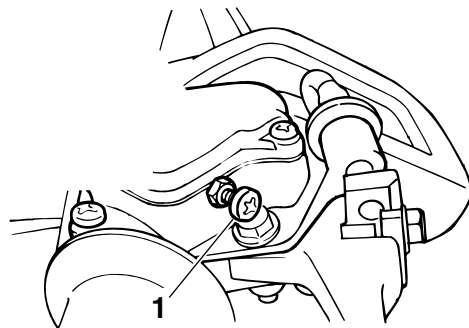
EWB01450

⚠ WARNING

Always go at a speed that is proper for the terrain, visibility and operating conditions, and your experience. Operating this ATV at speeds too fast for your skills or the conditions increases your chances of losing control of the ATV, which can result in an accident.

Speed limiter

For riders less experienced with this model, the throttle lever housing is equipped with a speed limiter. The speed limiter keeps the throttle from fully opening, even when the throttle lever is pushed to the maximum. Turning in the adjusting screw limits the maximum engine power available and decreases the maximum speed of the ATV. Turning in the adjusting screw decreases top speed, and turning it out increases top speed. (See page 4-5.) Yamaha recommends that all beginning riders start off with the speed limiter turned in to limit the amount of speed available while they learn. The limiter may be gradually adjusted to increase maximum speed as the beginner becomes more familiar with operating the ATV.



1. Adjusting screw

Loading and accessories

Use extra caution when riding the ATV with additional loads, such as accessories or cargo. The ATV's handling may be adversely affected. Reduce your speed when adding additional loads.

MAXIMUM LOADING LIMIT

ATV loading limit (total weight of cargo, rider, accessories, and tongue):

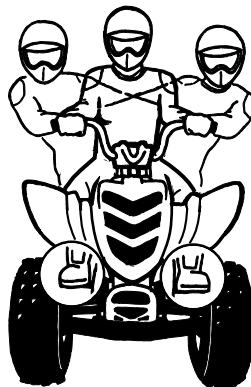
40.0 kg (88 lb)

⚠ WARNING

- Never exceed the stated load capacity for this ATV.
- Cargo should be properly distributed and securely attached.
- Reduce speed when carrying cargo or pulling a trailer. Allow greater distance for braking.
- Always follow the instructions in your Owner's Manual for carrying cargo or pulling a trailer.

7 During operation

Always keep your feet on the footboards during operation, otherwise they may contact the rear wheels.

**⚠ WARNING**

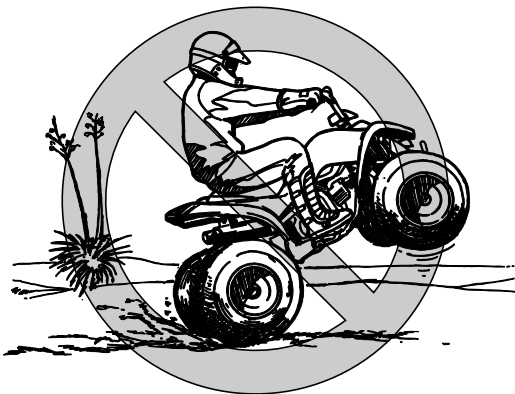
Always keep both hands on the handlebars and both feet on the footboards of your ATV during operation. Removing even one hand or foot can reduce your ability to control the ATV or could cause you to lose your balance and fall off of the ATV. If you remove a foot from a footboard, your foot or leg may come into contact with the rear wheels, which could injure you or cause an accident.

Avoid wheelies and jumping. You may lose control of the ATV or overturn.

EWB01480

⚠ WARNING

Never attempt stunts, such as wheelies or jumps. Don't try to show off.



Modifications

EWB01490

⚠ WARNING

Never modify this ATV through improper installation or use of accessories. All parts and accessories added to this ATV should be gen-

uine Yamaha or equivalent components designed for use on this ATV and should be installed and used according to instructions. Improper installation of accessories or modification of this ATV may cause changes in handling which in some situations could lead to an accident. If you have questions, consult an authorized ATV dealer.

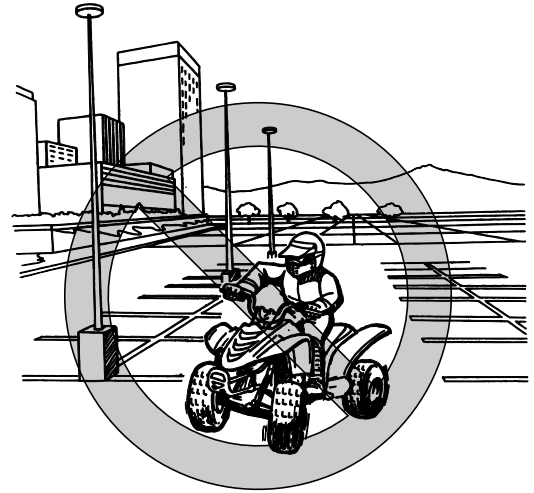
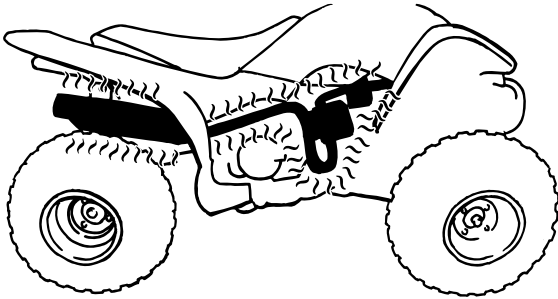
Exhaust system

The exhaust system on the ATV is very hot during and following operation. To prevent burns, avoid touching the exhaust system. Park the ATV in a place where pedestrians or children are not likely to touch it. Also, avoid parking in or around dry grass, brush or other combustible materials to prevent causing a fire hazard.

EWB01500

⚠ WARNING

- Do not touch the hot exhaust system.
- Do not park the ATV during or after operation in a place where others might be likely to touch it.
- Do not operate, idle, or park the ATV in dry grass, dry ground cover, or combustible materials.



BE CAREFUL WHERE YOU RIDE

7

This ATV is designed for use on unpaved surfaces only. Riding on paved surfaces can cause loss of control.

EWB01510

WARNING

Always avoid paved surfaces, including sidewalks, driveways, parking lots and streets. ATVs are designed for use on unpaved surfaces only. Paved surfaces may seriously affect handling and control of the ATV, and may cause the ATV to go out of control.

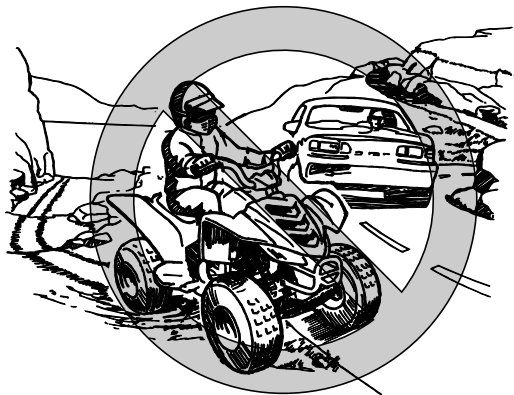
While riding on unpaved public streets or roads may be legal in your area, such operation can increase the risk of collision with other vehicles. Watch carefully for other vehicles. Make sure you know your country's laws and regulations before you ride on unpaved public streets or roads. Do not ride on any paved public street, road or motorway.

EWB01520

WARNING

Never operate this ATV on any paved street,

paved road or motorway. You can collide with another vehicle. In many areas, it is illegal to operate ATVs on public streets, roads and highways.



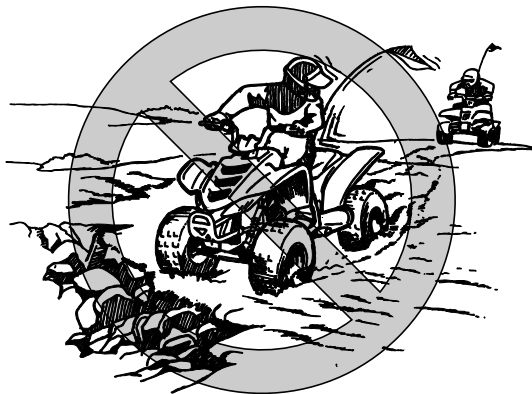
Know the terrain where you ride. Ride cautiously in unfamiliar areas. Stay alert for **holes, rocks, or roots** in the terrain, and **other hidden hazards** which may cause the ATV to upset.

EWB01530

⚠ WARNING

Go slowly and be extra careful when operating on unfamiliar terrain. Always be alert to chang-

ing terrain conditions when operating the ATV.



EWB01540

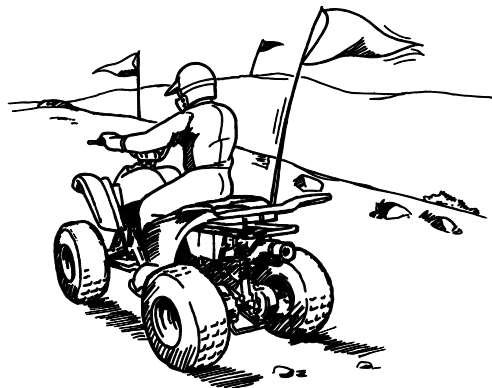
⚠ WARNING

Do not operate on excessively rough, slippery or loose terrain until you have learned and practiced the skills necessary to control the ATV on such terrain. Failure to use extra care when operating on excessively rough, slippery or loose terrain could cause loss of traction or ATV control, which could result in an accident, including an overturn.



7

When riding in an area where you might not easily be seen, such as desert terrain, mount a caution flag on the ATV. **DO NOT** use the flag pole bracket as a trailer hitch.

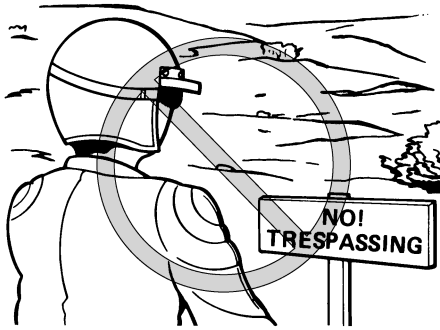


EWB01550

⚠ WARNING

Always mount a caution flag on the ATV to make you more visible when operating in areas where you might not be seen by other vehicles. Watch carefully for other vehicles.

Do not ride in areas posted “no trespassing”.
Do not ride on private property without getting permission.



Select a large, flat, unpaved area to become familiar with your ATV. Make sure that this area is free of obstacles and other riders. You should practice control of the throttle, brakes, and turning techniques in this area before trying more difficult terrain. Always avoid riding on paved surfaces: the ATV is designed for use on unpaved surfaces only, and handling maneuvers are more difficult to perform on pavement.

Set the parking brake and follow the instruction on page 6-1 to start the engine. Once it has warmed up you are ready to begin riding your ATV. Remember that the engine and exhaust pipe will be hot when riding and afterwards; do not allow skin or clothing to come in contact with these components.

With the engine idling, shift the transmission into the drive position and then release the parking brake. Apply the throttle slowly and smoothly. The centrifugal clutch will engage and you will start to accelerate. If the throttle is applied too abruptly, the front wheels may lift off the ground, resulting in a loss of directional control. Avoid higher speeds until you are thoroughly familiar with the operation of your ATV.

When slowing down or stopping, release the throttle and apply the brakes smoothly and evenly. Improper use of the brakes can cause the tires to lose traction, reducing control and increasing the possibility of an accident.

TURNING YOUR ATV

To achieve maximum traction on unpaved surfaces, the two rear wheels are mounted solidly on one axle and turn together at the same speed. Therefore, unless the wheel on the inside of the turn is allowed to slip or lose some traction, the ATV will resist turning. A special turning technique must be used to allow the ATV to make turns quickly and easily. It is essential that this skill be learned first at low speed.

⚠ WARNING

Always follow proper procedures for turning as described in this Owner's Manual. Practice turning at low speeds before attempting to turn at faster speeds. Do not turn at speeds too fast for your skills or the conditions.

As you approach a curve, slow down and begin to turn the handlebars in the desired direction. As you do so, put your weight on the footboard to the outside of the turn (opposite your desired direction) and lean your upper body into the turn. Use the throttle to maintain an even speed through the turn. This maneuver will let the wheel on the inside of the turn slip slightly, allowing the ATV to make the turn properly.



1. Lean towards inside of turn.
2. Support your weight on the outer footboard.

This procedure should be practiced at slow speed many times in a large unpaved area with no obstacles. If an incorrect technique is used, your ATV may continue to go straight. If the ATV doesn't turn, come to a stop and then practice the procedure again. If the riding surface is slippery or loose, it may help to position more of your weight over the front wheels by moving forward on the seat. Once you have learned this technique, you should be able to perform it at higher speeds or in tighter

curves.

Improper riding procedures such as abrupt throttle changes, excessive braking, incorrect body movements, or too much speed for the sharpness of the turn may cause the ATV to tip. If the ATV begins to tip over to the outside while negotiating a turn, lean more to the inside. It may also be necessary to gradually let off on the throttle and steer to the outside of the turn to avoid tipping over.

Remember: Avoid higher speeds until you are thoroughly familiar with the operation of your ATV.

CLIMBING UPHILL

Use proper riding techniques to avoid ATV over- turns on hills. Be sure that you can maneuver your ATV well on flat ground before attempting any incline and then practice riding first on gentle slopes. Try more difficult climbs only after you have developed your skill. In all cases avoid inclines with slippery or loose surfaces, or obstacles that might cause you to lose control.

EWB01580

WARNING

Never operate the ATV on hills too steep for the ATV or for your abilities. The ATV can overturn more easily on extremely steep hills than on level surfaces or small hills. Practice on small-

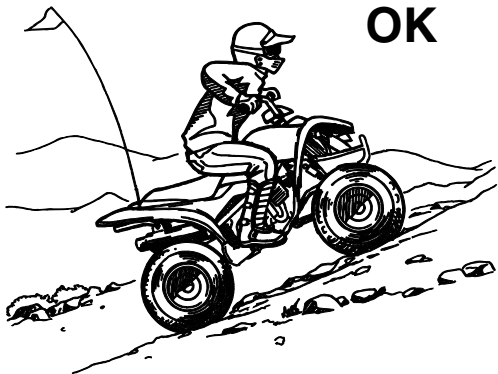
er hills before attempting large hills.

It is important when climbing a hill to make sure that your weight is transferred forward on the ATV. This can be accomplished by leaning forward and, on steeper inclines, standing on the footboards and leaning forward over the handlebars.

EWB01670

WARNING

- **Always follow proper procedures for climbing hills as described in this Owner's Manual.**
- **Always check the terrain carefully before you start up any hill.**
- **Never climb hills with excessively slippery or loose surfaces.**
- **Shift your weight forward.**
- **Never open the throttle suddenly. The ATV could flip over backwards.**
- **Never go over the top of any hill at high speed. An obstacle, a sharp drop, or another vehicle or person could be on the other side of the hill.**



7

If you are climbing a hill and you find that you have not properly judged your ability to make it to the top, you should turn the ATV around while you still have forward motion (provided you have the room to do so) and go down the hill.

EWB01600

⚠ WARNING

Never attempt to turn the ATV around on any hill until you have mastered the turning technique as described in the Owner's Manual on level ground. Be very careful when turning on any hill. Avoid crossing the side of a steep hill

if possible.

When crossing the side of a hill:

- Always follow proper procedures as described in the Owner's Manual.
- Avoid hills with excessively slippery or loose surfaces.
- Shift your weight to the uphill side of the ATV.



If your ATV has stalled or stopped and you believe you can continue up the hill, restart carefully to make sure you do not lift the front wheels which could cause you to lose control. If you are unable

to continue up the hill, dismount the ATV on the uphill side. Physically turn the ATV around and then descend the hill.

If you start to roll backwards, DO NOT apply the rear brake to stop or try to put the ATV in gear. The ATV could easily tip over backwards. Instead, apply the front brake gradually, or dismount the ATV immediately on the uphill side.

EWB01761

WARNING

Maintain a steady speed when climbing a hill.

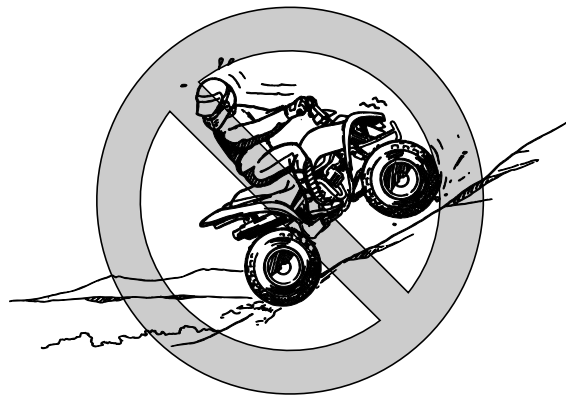
If you lose all forward speed:

- **Keep weight uphill.**
- **Apply the brakes.**
- **Lock the parking brake after you are stopped.**

If you begin rolling backwards:

- **Keep weight uphill.**
- **Never apply the rear brake while rolling backwards. Apply the front brake.**
- **When fully stopped, apply the rear brake as well, and then lock the parking brake.**

Dismount on uphill side or to a side if pointed straight uphill. Turn the ATV around and re-mount, following the procedure described in the Owner's Manual.



RIDING DOWNHILL

When riding your ATV downhill, shift your weight as far to the rear and uphill side of the ATV as possible. Move back on the seat and sit with your arms straight. Allow the engine compression to do most of the braking for you. Improper braking may cause a loss of traction.

Use caution while descending a hill with loose or slippery surfaces. Braking ability and traction may be adversely affected by these surfaces. Improper braking may also cause a loss of traction.

Whenever possible, ride your ATV straight down-

hill. Avoid sharp angles which could allow the ATV to tip or roll over. Carefully choose your path and ride no faster than you will be able to react to obstacles which may appear.

EWB01620

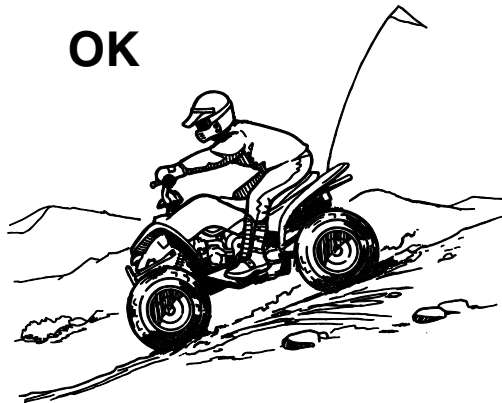
WARNING

Always follow proper procedures for going down hills as described in this Owner's Manual.

Note: a special technique is required when braking as you go down a hill.

- Always check the terrain carefully before you start down any hill.
- Shift your weight backward.
- Never go down a hill at high speed.
- Avoid going down a hill at an angle that would cause the ATV to lean sharply to one side. Go straight down the hill where possible.

OK



CROSSING A SLOPE

Traversing a sloping surface on your ATV requires you to properly position your weight to maintain proper balance. Be sure that you have learned the basic riding skills on flat ground before attempting to cross a sloping surface. Avoid slopes with slippery surfaces or rough terrain that may upset your balance.

As you travel across a slope, lean your body in the uphill direction. It may be necessary to correct the steering when riding on loose surfaces by pointing the front wheels slightly uphill. When riding on

slopes, be sure not to make sharp turns either up or down hill.

If your ATV does begin to tip over, gradually steer in the downhill direction if there are no obstacles in your path. As you regain proper balance, gradually steer again in the direction you wish to travel.

EWB01631

! WARNING

Never attempt to turn the ATV around on any hill until you have mastered the turning technique as described in the Owner's Manual on level ground. Be very careful when turning on any hill. Avoid crossing the side of a steep hill if possible.

When crossing the side of a hill:

- **Always follow proper procedures as described in the Owner's Manual.**
- **Avoid hills with excessively slippery or loose surfaces.**
- **Shift your weight to the uphill side of the ATV.**



CROSSING THROUGH SHALLOW WATER

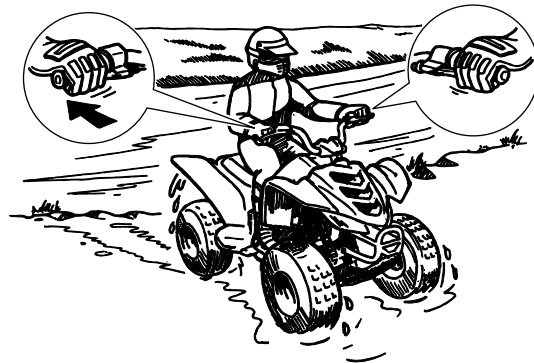
The ATV can be used to cross slow moving, shallow water of up to a maximum of 20 cm (8 in) in depth. Before entering the water, choose your path carefully. Enter where there is no sharp drop off, and avoid rocks or other obstacles which may be slippery or upset the ATV. Drive slowly and carefully.

EWB01640

! WARNING

Never operate this ATV in fast flowing water or in water deeper than that specified in your

Owner's Manual. Remember that wet brakes may have reduced stopping ability. Test your brakes after leaving water. If necessary, apply them several times to let friction dry out the linings. If the ATV is operated through deep or fast flowing water, the tires may float, causing loss of traction and loss of control, which could lead to an accident.

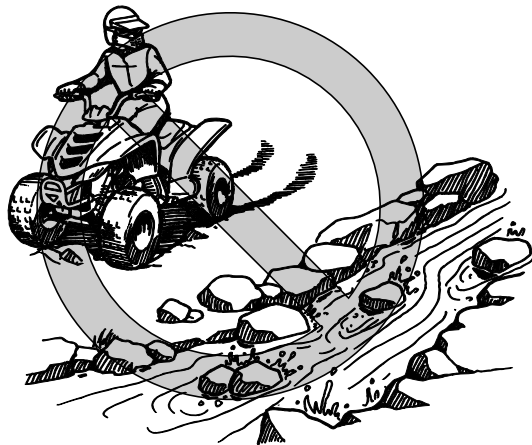


ECB00240

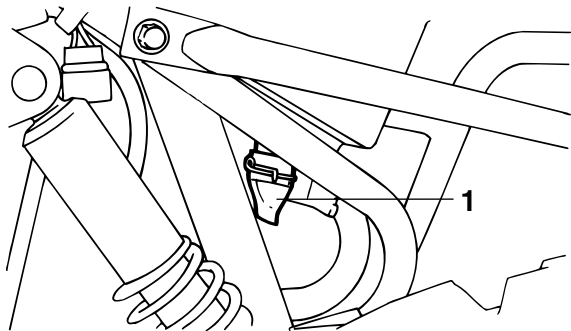
CAUTION:

After riding your ATV in water, be sure to drain the trapped water by removing the check hose at the bottom of the air filter case. Wash the ATV in fresh water if it has been operated in salt water or muddy conditions.

7



Test your brakes after leaving the water. Do not continue to ride your ATV without verifying that you have regained proper braking ability.



1. Air filter case check hose

RIDING OVER ROUGH TERRAIN

Riding over rough terrain should be done with caution. Look out for obstacles which could cause damage to the ATV or could lead to an upset or accident. Be sure to keep your feet firmly mounted on the footboards at all times. Avoid jumping the ATV as loss of control and damage to the ATV may result.

EWB01650

WARNING

Before operating in a new area, check for obstacles. Never attempt to ride over large obstacles, such as large rocks or fallen trees. When

you go over obstacles, always follow proper procedures as described in the Owner's Manual.

SLIDING AND SKIDDING

Care should be used when riding on loose or slippery surfaces since the ATV may slide. If unexpected and uncorrected, sliding could lead to an accident.

To reduce the tendency for the front wheels to slide in loose or slippery conditions, positioning your weight over the front wheels will sometimes help.



If the rear wheels of your ATV start to slide sideways, control can usually be regained (if there is room to do so) by steering in the direction of the slide. Applying the brakes or accelerating is not recommended until you have corrected the slide.



With practice, over a period of time, skill at controlled sliding can be developed. The terrain should be chosen carefully before attempting such maneuvers, since both stability and control are reduced. Bear in mind that sliding maneuvers should always be avoided on extremely slippery surfaces such as ice, since all control may be lost.

EWB01661

⚠ WARNING

Learn to safely control skidding or sliding by practicing at low speeds and on level, smooth terrain.

On extremely slippery surfaces, such as ice, go slowly and be very cautious in order to reduce the chance of skidding or sliding out of control.

WHAT TO DO IF...

This section is designed to be a reference guide only. Be sure to read each section on riding techniques completely.

WHAT TO DO...

- If your ATV doesn't turn when you want it to: Bring the ATV to a stop and practice the turning maneuvers again. Be sure you are putting your weight on the footboard to the outside of the turn. Position your weight over the front wheels for better control. (See page 7-12.)
- If your ATV begins to tip while turning: Lean more into the turn to regain balance. If necessary, gradually let off the throttle and/or steer to the outside of the turn. (See page 7-12.)

- If your ATV starts to slide sideways:
Steer in the direction of the slide if you have the room. Applying the brakes or accelerating is not recommended until you have corrected the slide. (See page 7-20.)
- If your ATV can't make it up a hill you are trying to climb:
Turn the ATV around if you still have forward speed. If not, stop, dismount on the uphill side of the ATV and physically turn the ATV around. If the ATV starts to slip backwards, **DO NOT USE THE REAR BRAKE** – the ATV may tip over on top of you. Instead, apply the front brake or dismount the ATV on the uphill side. (See page 7-14.)
- If your ATV is traversing a sloping surface:
Be sure to ride with your weight positioned towards the uphill side of the ATV to maintain proper balance. If the ATV starts to tip, steer down the hill (if there are no obstacles in your way) to regain balance. If you discover that the ATV is going to tip over, dismount on the uphill side. (See page 7-14.)
- If your ATV encounters shallow water:
Ride slowly and carefully through slow moving water, watching for obstacles. Be sure to let wa-

ter drain from the ATV and **CHECK YOUR BRAKES FOR PROPER OPERATION** when you come out of the water. Do not continue to ride your ATV until you have regained adequate braking ability. (See page 7-18.)

PERIODIC MAINTENANCE AND MINOR REPAIR

Safety is an obligation of the owner. Periodic inspection, adjustment and lubrication will keep your ATV in the safest and best operating condition possible. The most important points of inspection, adjustment, and lubrication are explained on the following pages.

The intervals given in the periodic maintenance and lubrication chart should be considered as a general guide under normal riding conditions. However, **DEPENDING ON THE WEATHER, TERRAIN, GEOGRAPHICAL LOCATION, AND INDIVIDUAL USE, THE MAINTENANCE INTERVALS MAY NEED TO BE SHORTENED.**

EWB01840

⚠ WARNING

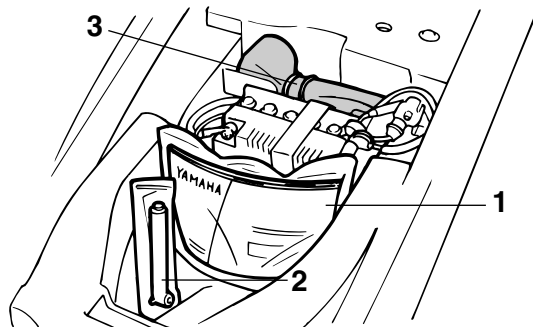
Never service an engine while it is running. Moving parts can catch clothing or parts of the body, causing injury. Electrical components can cause shocks or start fires. Turn off the engine when performing maintenance unless otherwise specified. Have a Yamaha dealer perform the service if you are not familiar with

maintenance work.

EBU27110

Owner's manual and tool kit

Be sure to put this owner's manual in the plastic bag and to always carry it as well as the owner's tool kit and the low-pressure tire gauge in their respective compartments under the seat.



1. Owner's manual
2. Low-pressure tire gauge
3. Owner's tool kit

The service information included in this manual and the tools provided in the owner's tool kit are intended to assist you in the performance of preventive maintenance and minor repairs. However, additional tools such as a torque wrench may be necessary to perform certain maintenance work correctly.

NOTE: _____

If you do not have the tools or experience required for a particular job, have a Yamaha dealer perform it for you.

EWB01850

! WARNING _____

Never modify this ATV through improper installation or use of accessories, as it may cause changes in handling, which in some situations could lead to an accident. All parts and accessories added to this ATV should be genuine Yamaha or equivalent components designed for use on this ATV and should be installed and used according to instructions. If you have questions, consult an authorized Yamaha ATV dealer.

Periodic maintenance chart for the emission control system

NOTE:

- For ATVs not equipped with an odometer or an hour meter, follow the month maintenance intervals.
- For ATVs equipped with an odometer or an hour meter, follow the km (mi) or hours maintenance intervals. However, keep in mind that if the ATV isn't used for a long period of time, the month maintenance intervals should be followed.
- Items marked with an asterisk should be performed by a Yamaha dealer as they require special tools, data and technical skills.

| NO. | ITEM | CHECK OR MAINTENANCE JOB | Whichever comes first ⇒ | INITIAL | | | EVERY | | |
|-----|-----------------------------|---|----------------------------|---------|-----------|------------|-------------|-------------|-------------|
| | | | | month | 1 | 3 | 6 | 6 | 12 |
| | | | | km (mi) | 320 (200) | 1300 (800) | 2500 (1600) | 2500 (1600) | 5000 (3200) |
| | | | | hours | 20 | 80 | 160 | 160 | 320 |
| 1 | * Fuel line | ● Check fuel hoses for cracks or other damage, and replace if necessary. | | | | √ | √ | √ | |
| 2 | Spark plug | ● Check condition and clean, regap, or replace if necessary. | | √ | √ | √ | √ | √ | |
| 3 | * Valves | ● Check valve clearance and adjust if necessary. | | √ | | √ | √ | √ | |
| 4 | * Carburetor | ● Check choke operation and correct if necessary. ● Check engine idling speed and adjust if necessary. | | | √ | √ | √ | √ | |
| 5 | * Crankcase breather system | ● Check breather hose for cracks or other damage, and replace if necessary. | | | | √ | √ | √ | |

| NO. | ITEM | CHECK OR MAINTENANCE JOB | Whichever comes first ⇒ | INITIAL | | | EVERY | | |
|-----|------|--------------------------|--|---------|-----------|------------|-------------|-------------|-------------|
| | | | | month | 1 | 3 | 6 | 6 | 12 |
| | | | | km (mi) | 320 (200) | 1300 (800) | 2500 (1600) | 2500 (1600) | 5000 (3200) |
| | | | | hours | 20 | 80 | 160 | 160 | 320 |
| 6 | * | Exhaust system | <ul style="list-style-type: none"> • Check for leakage and replace gasket(s) if necessary. • Check for looseness and tighten all screw clamps and joints if necessary. | | | √ | √ | √ | |
| 7 | | Spark arrester | <ul style="list-style-type: none"> • Clean. | | | √ | √ | √ | |

General maintenance and lubrication chart

| NO. | ITEM | CHECK OR MAINTENANCE JOB | Whichever comes first ⇒ | INITIAL | | | EVERY | | |
|-------|------|---------------------------|---|--|-----------|------------|-------------|-------------|-------------|
| | | | | month | 1 | 3 | 6 | 6 | 12 |
| | | | | km (mi) | 320 (200) | 1300 (800) | 2500 (1600) | 2500 (1600) | 5000 (3200) |
| hours | 20 | 80 | 160 | 160 | 320 | | | | |
| 1 | * | Timing chain | <ul style="list-style-type: none"> • Check chain tension. • Adjust if necessary. | √ | | √ | √ | √ | |
| 2 | | Air filter element | <ul style="list-style-type: none"> • Clean and replace if necessary. | Every 20–40 hours (more often in wet or dusty areas) | | | | | |
| 3 | * | Front brake | <ul style="list-style-type: none"> • Check operation and correct if necessary. • Check brake lever free play and adjust if necessary. • Replace brake shoes. | √ | √ | √ | √ | √ | |
| | | | | Whenever worn to the limit | | | | | |
| 4 | * | Rear brake | <ul style="list-style-type: none"> • Check operation and correct if necessary. • Check brake lever free play and adjust if necessary. • Replace brake shoes. | √ | √ | √ | √ | √ | |
| | | | | Whenever worn to the limit | | | | | |
| 5 | * | Wheels | <ul style="list-style-type: none"> • Check runout and for damage, and replace if necessary. | √ | | √ | √ | √ | |
| 6 | * | Tires | <ul style="list-style-type: none"> • Check tread depth and for damage, and replace if necessary. • Check air pressure and balance, and correct if necessary. | √ | | √ | √ | √ | |
| 7 | * | Wheel hub bearings | <ul style="list-style-type: none"> • Check for looseness or damage, and replace if necessary. | √ | | √ | √ | √ | |
| 8 | * | Chassis fasteners | <ul style="list-style-type: none"> • Make sure that all nuts, bolts, and screws are properly tightened. | √ | √ | √ | √ | √ | |

| NO. | ITEM | CHECK OR MAINTENANCE JOB | Whichever comes first ⇒ | INITIAL | | | EVERY | | |
|-------|------------------------------------|---|----------------------------|---------|-----------|------------|-------------|-------------|-------------|
| | | | | month | 1 | 3 | 6 | 6 | 12 |
| | | | | km (mi) | 320 (200) | 1300 (800) | 2500 (1600) | 2500 (1600) | 5000 (3200) |
| hours | 20 | 80 | 160 | 160 | 320 | | | | |
| 9 | * Shock absorber assemblies | <ul style="list-style-type: none"> • Check operation and correct if necessary. • Check for oil leakage and replace if necessary. | | | | √ | √ | √ | |
| 10 | * Front knuckle pivots | <ul style="list-style-type: none"> • Lubricate with lithium-soap-based grease. | | | | √ | √ | √ | |
| 11 | * Steering shaft | <ul style="list-style-type: none"> • Lubricate with lithium-soap-based grease. | | | | √ | √ | √ | |
| 12 | * Steering system | <ul style="list-style-type: none"> • Check operation and repair or replace if damaged. • Check toe-in and adjust if necessary. | √ | √ | √ | √ | √ | √ | |
| 13 | Engine oil | <ul style="list-style-type: none"> • Change. • Check ATV for oil leakage, and correct if necessary. | √ | | | √ | √ | √ | |
| 14 | Final gear oil | <ul style="list-style-type: none"> • Change. • Check ATV for oil leakage, and correct if necessary. | √ | | | | | √ | |
| 15 | * Moving parts and cables | <ul style="list-style-type: none"> • Lubricate. | | | | √ | √ | √ | |
| 16 | * Throttle lever housing and cable | <ul style="list-style-type: none"> • Check operation and correct if necessary. • Check throttle cable free play and adjust if necessary. • Lubricate throttle lever housing and cable. | √ | √ | √ | √ | √ | √ | |
| 17 | * Front and rear brake switches | <ul style="list-style-type: none"> • Check operation and correct if necessary. | √ | √ | √ | √ | √ | √ | |
| 18 | * Battery | <ul style="list-style-type: none"> • Check electrolyte level and specific gravity, and correct if necessary. • Make sure that the breather hose is properly routed. | √ | √ | √ | √ | √ | √ | |

NOTE:

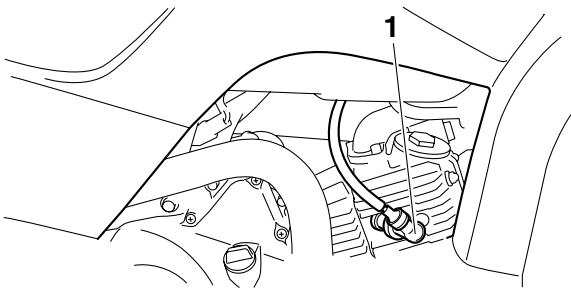
The air filter needs more frequent service if you are riding in unusually wet or dusty areas.

Checking the spark plug

The spark plug is an important engine component, which is easy to check. Since heat and deposits will cause any spark plug to slowly erode, the spark plug should be removed and checked in accordance with the periodic maintenance and lubrication chart. In addition, the condition of the spark plug can reveal the condition of the engine.

To remove the spark plug

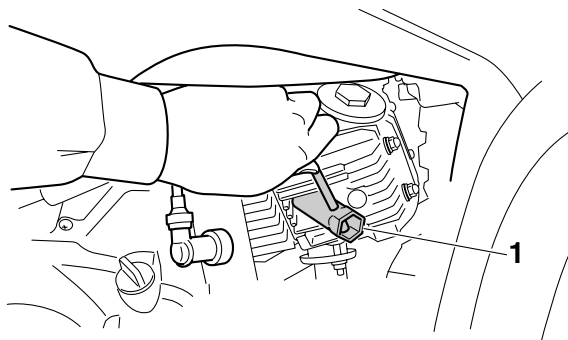
1. Remove the spark plug cap.



1. Spark plug cap

2. Remove the spark plug as shown, with the

spark plug wrench included in the owner's tool kit.



1. Spark plug wrench

To check the spark plug

1. Check that the porcelain insulator around the center electrode of the spark plug is a medium-to-light tan (the ideal color when the ATV is ridden normally).

NOTE:

If the spark plug shows a distinctly different color, the engine could be operating improperly. Do not attempt to diagnose such problems yourself. Instead, have a Yamaha dealer check the ATV.

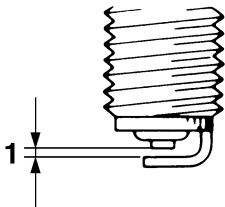
2. Check the spark plug for electrode erosion and excessive carbon or other deposits, and replace it if necessary.

Specified spark plug:
NGK/CR7HSA

To install the spark plug

1. Measure the spark plug gap with a wire thickness gauge and, if necessary, adjust the gap to specification.

Spark plug gap:
0.6–0.7 mm (0.024–0.028 in)



1. Spark plug gap

2. Clean the surface of the spark plug gasket and its mating surface, and then wipe off any grime from the spark plug threads.
3. Install the spark plug with the spark plug wrench, and then tighten it to the specified torque.

Tightening torque:
Spark plug:
12.5 Nm (1.25 m-kgf, 9.0 ft-lbf)

NOTE:

If a torque wrench is not available when installing a spark plug, a good estimate of the correct torque is 1/4–1/2 turn past finger tight. However, the spark plug should be tightened to the specified torque as soon as possible.

4. Install the spark plug cap.

EBU23253

Engine oil

The engine oil level should be checked before each ride. In addition, the oil must be changed at the intervals specified in the periodic maintenance and lubrication chart.

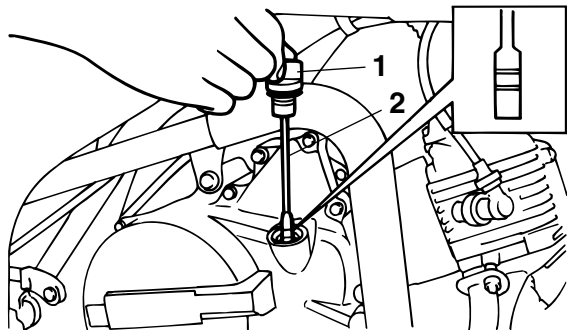
To check the engine oil level

1. Place the ATV on a level surface.
2. Check the engine oil level on a cold engine.

NOTE:

If the engine was started before checking the oil level, be sure to warm up the engine sufficiently, and then wait at least ten minutes until the oil settles for an accurate reading.

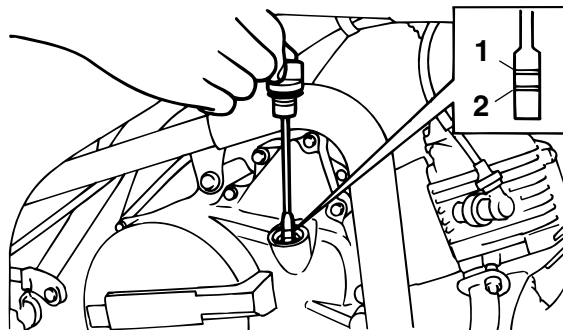
3. Remove the engine oil filler cap, and then wipe the dipstick off with a clean rag.



1. Engine oil filler cap
2. Dipstick

4. Insert the dipstick into the filler hole (without

screwing it in), and then remove it again to check the oil level.



1. Maximum level mark
2. Minimum level mark

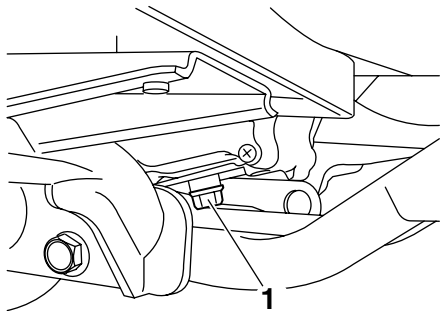
NOTE:

The engine oil should be between the minimum and maximum level marks.

5. If the engine oil is at or below the minimum level mark, add sufficient oil of the recommended type to raise it to the correct level.
6. Insert the dipstick into the oil filler hole, and then tighten the engine oil filler cap.

To change the engine oil

1. Place the ATV on a level surface.
2. Start the engine, warm it up for several minutes, and then turn it off.
3. Place an oil pan under the engine to collect the used oil.
4. Remove the engine oil filler cap, and then remove the engine oil drain bolt to drain the oil from the crankcase.



1. Engine oil drain bolt

5. Check the O-ring for damage and replace it if necessary.
6. Install the engine oil drain bolt, and then tighten it to the specified torque.

Tightening torque:

Engine oil drain bolt:

20 Nm (2.0 m-kgf, 14.5 ft-lbf)

7. Add the specified amount of the recommended engine oil, and then install and tighten the engine oil filler cap.

Recommended oil:

See page 10-1.

Oil quantity:

0.80 L (0.85 US qt) (0.70 Imp.qt)

ECB00300

CAUTION:

- In order to prevent clutch slippage (since the engine oil also lubricates the clutch), do not mix any chemical additives. Do not use oils with a diesel specification of “CD” or oils of a higher quality than specified. In addition, do not use oils labeled “ENERGY CONSERVING II” or higher.
- Make sure that no foreign material enters the crankcase.

8. Start the engine, and then let it idle for several

minutes while checking it for oil leakage. If oil is leaking, immediately turn the engine off and check for the cause.

9. Turn the engine off, wait at least ten minutes, and then check the oil level and correct it if necessary.

EBU23403

Final gear oil

The final gear case must be checked for oil leakage before each ride. If any leakage is found, have a Yamaha dealer check and repair the ATV. In addition, the final gear oil level must be checked and the oil changed as follows at the intervals specified in the periodic maintenance and lubrication chart.

To check the final gear oil level

1. Place the ATV on a level surface.

NOTE:

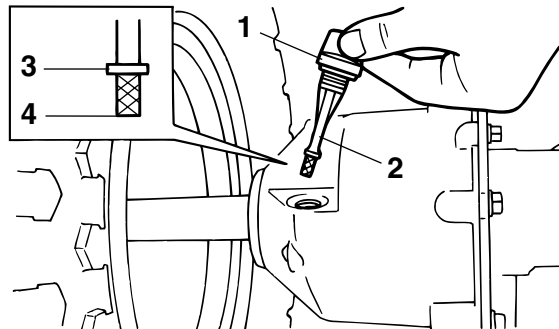
The final gear oil level must be checked on a cold engine.

2. Remove the final gear oil filler cap, wipe the dipstick off with a clean rag, insert it back into the oil filler hole (without screwing it in), and then remove it again to check the oil level.

NOTE:

The final gear oil should be between the minimum and maximum level marks.

3. If the oil is at or below the minimum level mark, add sufficient oil of the recommended type to raise it to the correct level.

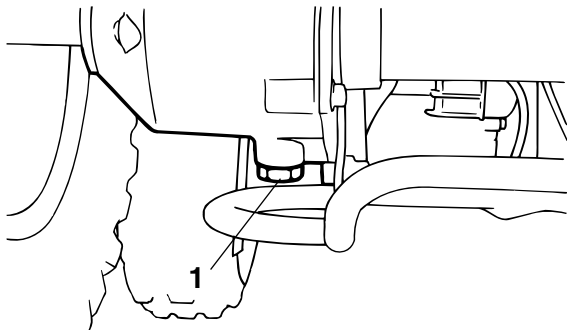


1. Final gear oil filler cap
2. Dipstick
3. Maximum level mark
4. Minimum level mark

4. Insert the dipstick into the oil filler hole, and then tighten the oil filler cap.

To change the final gear oil

1. Place the ATV on a level surface.
2. Place an oil pan under the final gear case to collect the used oil.
3. Remove the final gear oil filler cap and the final gear oil drain bolt to drain the oil from the final gear case.



1. Final gear oil drain bolt

4. Install the drain bolt, and then tighten it to the specified torque.

Tightening torque:

Final gear oil drain bolt:

23 Nm (2.3 m·kgf, 16.6 ft·lbf)

5. Add the specified amount of the recommended final gear oil, and then check the oil level.

Recommended final gear oil:

See page 10-1.

Oil quantity:

0.12 L (0.13 US qt) (0.11 Imp.qt)

ECB00420

CAUTION:

Be sure no foreign material enters the final gear case.

6. Install and tighten the oil filler cap.
7. Check the final gear case for oil leakage. If oil is leaking, check for the cause.

EBU23803

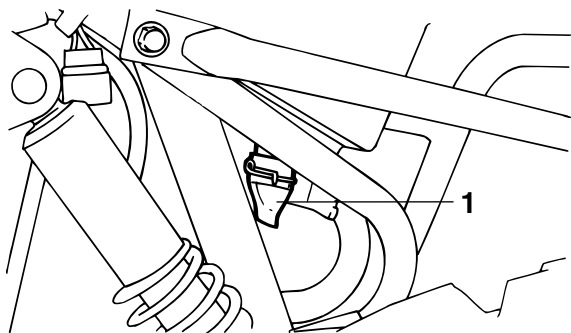
Cleaning the air filter element

The air filter element should be cleaned at the intervals specified in the periodic maintenance and lubrication chart. Clean the air filter element more frequently if you are riding in unusually wet or dusty areas.

NOTE:

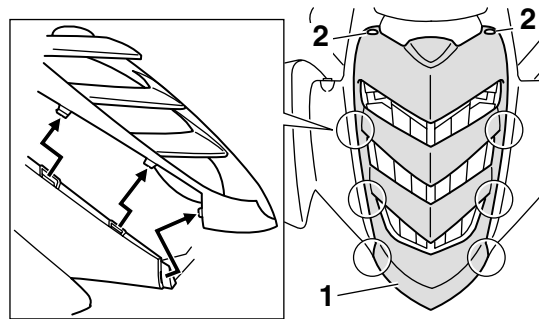
There is a check hose at the bottom of the air filter case. If dust or water collects in this hose, empty

the hose and clean the air filter element and air filter case.

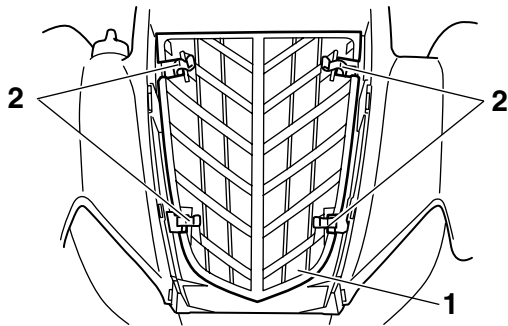


1. Air filter case check hose

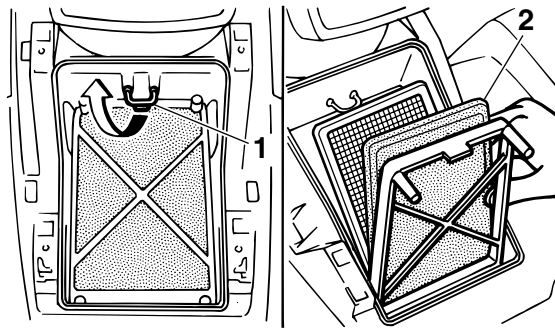
1. Remove the panel shown by removing the bolts.



- 1. Panel
- 2. Bolt



1. Air filter case cover
2. Air filter case holder



1. Air filter element holder
2. Sponge material

8

2. Remove the air filter case cover by unhooking the holders.

3. Unhook the holder holding the air filter element, and then pull out the sponge material from the air filter element.
4. Wash the sponge material gently but thoroughly in solvent.

EWB01940

⚠ WARNING

Always use parts cleaning solvent to clean the sponge material. Never use low-flash-point solvents or gasoline to clean the sponge material because the engine could catch fire or ex-

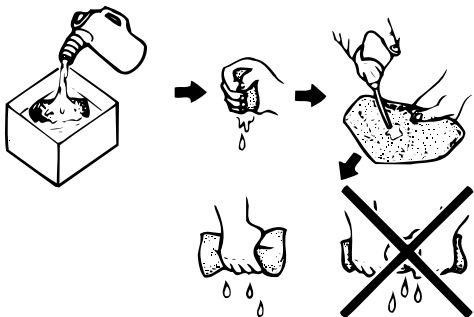
plode.

5. Squeeze the excess solvent out of the sponge material and let it dry.

ECB00440

CAUTION:

Do not twist the sponge material when squeezing it.



6. Check the sponge material and replace it if damaged.
7. Apply a quality foam air filter oil to the sponge material.

NOTE:

The sponge material should be wet but not drip-

ping.

8. Install the sponge material into the air filter element.
9. Place the air filter element in the original position, and then hook the holder.
10. Install the air filter case cover by hooking the holders onto the air filter case.
11. Install the panel by installing the bolts.

NOTE:

The air filter element should be cleaned every 20–40 hours. It should be cleaned and lubricated more often if the ATV is operated in extremely dusty areas. Each time the air filter element maintenance is performed, check the air inlet of the air filter case for obstructions.

ECB00460

CAUTION:

- **Make sure that the air filter element is properly seated in the air filter case.**
- **Never operate the engine with the air filter element removed. This will allow unfiltered air to enter the engine, causing rapid engine wear and possible engine damage. Additionally, operation without the air filter element will affect carburetor jetting with subsequent**

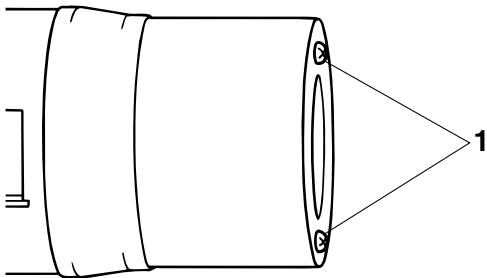
poor performance and possible engine overheating.

EBU27630

Cleaning the spark arrester

Be sure the exhaust pipe and muffler are cool before cleaning the spark arrester.

1. Remove the screws.

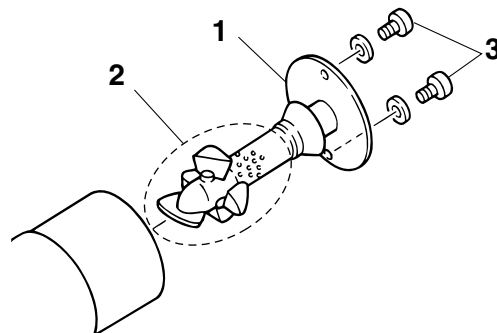


8

1. Screw

2. Remove the tailpipe by pulling it out of the muffler.
3. Tap the tailpipe lightly, and then use a wire brush to remove any carbon deposits from the spark arrester portion of the tailpipe and inside

of the tailpipe housing.



1. Tailpipe
2. Spark arrester
3. Screw

4. Insert the tailpipe into the muffler and align the screw holes.
5. Install the screws and tighten them.

EWB02340

⚠ WARNING

Do not start the engine when cleaning the spark arrester, otherwise it could cause injury to the eyes, burns, carbon monoxide poisoning, possibly leading to death, and start a fire. Always let the exhaust system cool prior to

touching exhaust components.

EBU23940

Adjusting the carburetor

The carburetor should be checked and, if necessary, adjusted at the intervals specified in the periodic maintenance and lubrication chart. The carburetor is an important part of the engine and requires very sophisticated adjustment. Therefore, most carburetor adjustments should be left to a Yamaha dealer, who has the necessary professional knowledge and experience. The adjustment described in the following section, however, may be performed by the owner as part of routine maintenance.

ECB00480

CAUTION:

The carburetor has been set and extensively tested at the Yamaha factory. Changing these settings without sufficient technical knowledge may result in poor performance or damage to the engine.

EBU24000

Adjusting the engine idling speed

The engine idling speed must be checked and, if

necessary, adjusted as follows at the intervals specified in the periodic maintenance and lubrication chart.

NOTE:

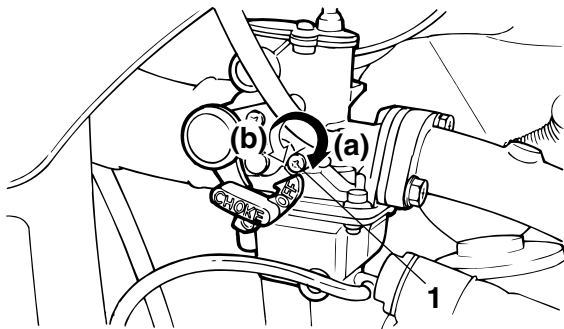
A diagnostic tachometer is needed to make this adjustment.

1. Start the engine and warm it up.

NOTE:

The engine is warm when it quickly responds to the throttle.

2. Attach the tachometer to the spark plug lead.
3. Check the engine idling speed and, if necessary, adjust it to specification by turning the throttle stop screw at the carburetor. To increase the engine idling speed, turn the throttle stop screw in direction (a), and to decrease it, turn the screw in direction (b).



1. Throttle stop screw

Engine idling speed:
1750–1850 r/min

8

NOTE:

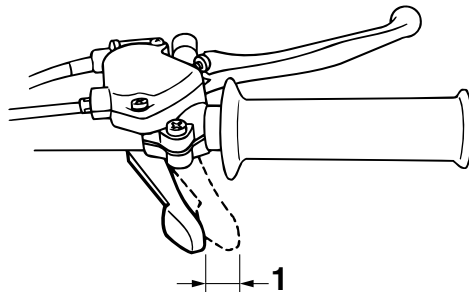
If the specified idling speed cannot be obtained as described above, have a Yamaha dealer make the adjustment.

EBU27071

Checking the throttle cable free play

The throttle cable free play should be checked at the intervals specified in the periodic maintenance and lubrication chart.

The throttle cable free play should measure 1.0–3.0 mm (0.04–0.12 in) at the throttle lever. Periodically check the throttle cable free play and, if necessary, have a Yamaha dealer adjust it.



1. Throttle lever free play

EBU24060

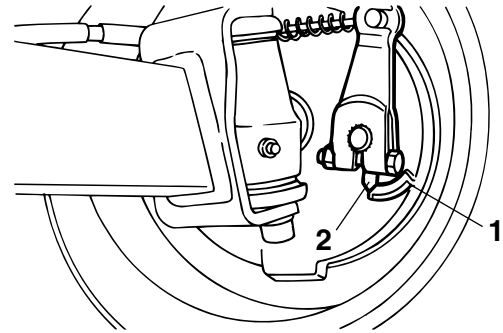
Valve clearance

The valve clearance changes with use, resulting in improper air-fuel mixture and/or engine noise. To prevent this from occurring, the valve clearance must be adjusted by a Yamaha dealer at the intervals specified in the periodic maintenance and lubrication chart.

Checking the front and rear brake shoes

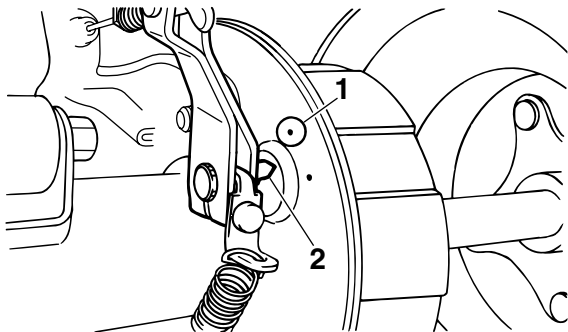
The front and rear brake shoes must be checked for wear at the intervals specified in the periodic maintenance and lubrication chart. Each brake is provided with a wear indicator, which allows you to check the brake shoe wear without having to disassemble the brake. To check the brake shoe wear, check the position of the wear indicator while applying the brake. If a brake shoe has worn to the point that the wear indicator reaches the wear limit line or mark, have a Yamaha dealer replace the brake shoes as a set.

Front brake



1. Wear limit line
2. Wear indicator

Rear brake



1. Wear limit mark
2. Wear indicator

8

EBU24330

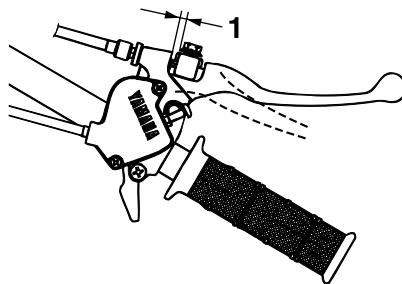
Adjusting the front brake lever free play

The brake lever free play must be checked and, if necessary, adjusted at the intervals specified in the periodic maintenance and lubrication chart.

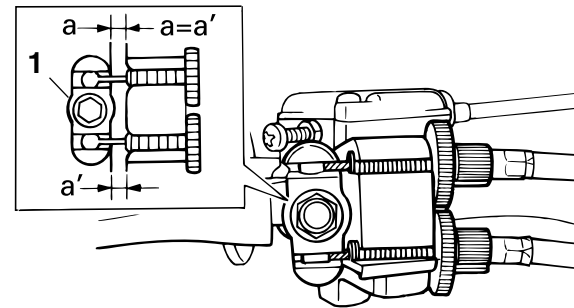
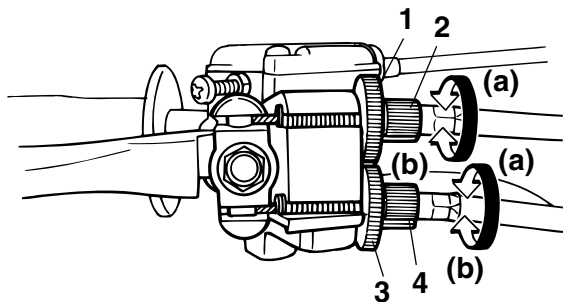
NOTE:

Before adjusting the brake lever free play, check the front brake shoes for wear.

The brake lever free play should measure 10.0–12.0 mm (0.39–0.47 in) as shown. If the free play is incorrect, adjust it as follows.



1. Brake lever free play
 1. Loosen the upper locknut and fully turn in the upper adjusting bolt.
 2. Loosen the lower locknut.
 3. Turn the lower adjusting bolt in direction (a) to increase the free play, and in direction (b) to decrease it.



1. Upper locknut
2. Upper adjusting bolt
3. Lower locknut
4. Lower adjusting bolt

4. Tighten the lower locknut.
5. While applying the front brake, turn out the upper adjusting bolt until the upper and lower cable lengths are equal. The cable joint will become vertical.

1. Cable joint

6. Tighten the upper locknut.

EWB02080

⚠ WARNING

Operating with improperly serviced or adjusted brakes could cause loss of braking ability, which could lead to an accident.

After servicing:

- **Make sure the brakes operate smoothly and that the free play is correct.**
 - **Make sure the brakes do not drag.**
- Replacement of brake components requires professional knowledge. These procedures**

should be performed by a Yamaha dealer.

EBU24451

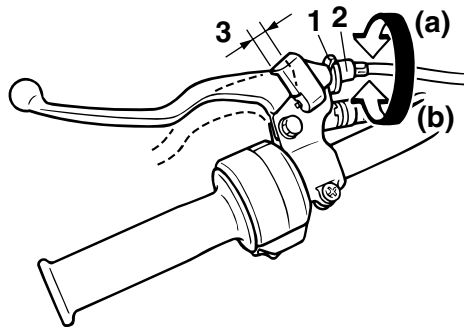
Adjusting the rear brake lever free play

The brake lever free play must be checked and, if necessary, adjusted at the intervals specified in the periodic maintenance and lubrication chart.

NOTE:

Before adjusting the brake lever free play, check the rear brake shoes for wear.

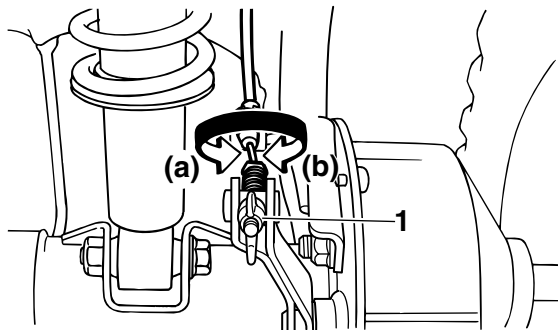
The brake lever free play should measure 7.0–10.0 mm (0.28–0.39 in) as shown. If the free play is incorrect, adjust it as follows.



1. Locknut
2. Brake lever free play adjusting bolt
3. Brake lever free play

1. Loosen the locknut at the brake lever.
2. Turn the brake lever free play adjusting bolt at the brake lever in direction (a) to increase the free play, and in direction (b) to decrease it.
3. Tighten the locknut at the brake lever.
If the specified free play cannot be obtained, proceed with the following steps.
4. Loosen the locknut at the brake lever.
5. Fully turn the adjusting bolt at the brake lever in direction (a) to loosen the brake cable.
6. To increase the brake lever free play, turn the

adjusting nut on the brake cable at the rear wheel hub in direction (a), and to decrease it, turn the nut in direction (b).



1. Brake lever free play adjusting nut

7. Tighten the locknut at the brake lever.

NOTE:

If the specified free play cannot be obtained as described above or if the rear brake does not operate correctly, have a Yamaha dealer check the internal rear brake mechanism.

EWB02080

WARNING

Operating with improperly serviced or adjusted brakes could cause loss of braking ability, which could lead to an accident.

After servicing:

- Make sure the brakes operate smoothly and that the free play is correct.
- Make sure the brakes do not drag.

Replacement of brake components requires professional knowledge. These procedures should be performed by a Yamaha dealer.

EBU24900

Checking and lubricating the cables

The operation and the condition of all control cables should be checked before each ride, and the cables and cable ends should be lubricated if necessary. If a cable is damaged or does not move smoothly, have a Yamaha dealer check or replace it.

Recommended lubricant:
Engine oil

WARNING

Inspect cables frequently and replace if damaged. Corrosion can result when the cable sheaths become damaged, and cables can also become frayed or kinked, which could restrict the operation of controls and lead to an accident or injury.

EBU28701

Checking and lubricating the front and rear brake levers

The operation of the front and rear brake levers should be checked before each ride, and the lever pivots should be lubricated if necessary.

Recommended lubricant:
Lithium-soap-based grease (all-purpose grease)

EBU24962

Checking the wheel hub bearings

The front and rear wheel hub bearings must be checked at the intervals specified in the periodic maintenance and lubrication chart. If there is play in a wheel hub or if a wheel does not turn smoothly,

have a Yamaha dealer check the wheel hub bearings.

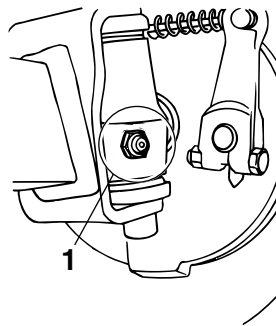
EBU28821

Lubricating the front knuckle pivots

The front knuckle pivots must be lubricated at the intervals specified in the periodic maintenance and lubrication chart.

Lubricate the front knuckle pivots using a grease gun.

Recommended lubricant:
Lithium-soap-based grease (all-purpose grease)



1. Grease nipple

EBU25101

Lubricating the steering shaft

The steering shaft must be lubricated at the intervals specified in the periodic maintenance and lubrication chart.

Recommended lubricant:

Lithium-soap-based grease (all-purpose grease)

EBU25121

Battery

A poorly maintained battery will corrode and discharge quickly. The electrolyte level, battery lead connections and breather hose routing should be checked before each ride and at the intervals specified in the periodic maintenance and lubrication chart.

To check the electrolyte level

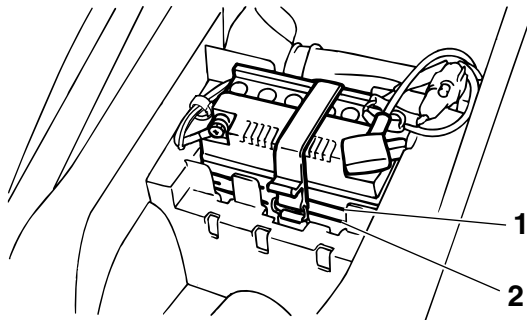
1. Place the ATV on a level surface.
2. Check the electrolyte level in the battery.

NOTE: _____

The electrolyte should be between the minimum and maximum level marks.

3. If the electrolyte is at or below the minimum

level mark, add distilled water to raise it to the maximum level mark.



1. Maximum level mark
2. Minimum level mark

ECB00590

CAUTION:

Use only distilled water, as tap water contains minerals that are harmful to the battery.

EWB02160

WARNING

Battery electrolyte is poisonous and dangerous, as it contains sulfuric acid, which can cause severe burns. Avoid contact with skin,

eyes or clothing. Always shield your eyes when working near batteries.

Antidote:

EXTERNAL: Flush with water.

INTERNAL: Drink large quantities of water or milk. Follow with milk of magnesia, beaten egg or vegetable oil. Call a physician immediately.

EYES: Flush with water for 15 minutes and get prompt medical attention.

Batteries produce explosive gases. Keep sparks, flame, cigarettes or other sources of ignition away. Ventilate when charging or using in an enclosed space.

KEEP OUT OF REACH OF CHILDREN.

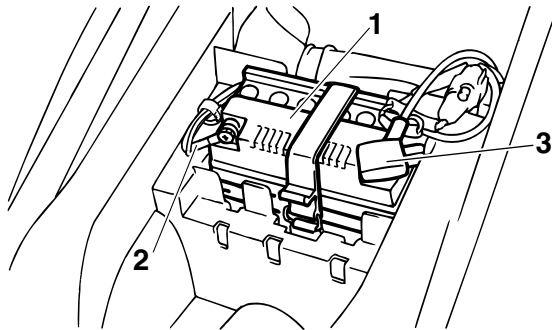
8

4. Check and, if necessary, tighten the battery lead connections and correct the breather hose routing.

To store the battery

If the ATV will not be used for more than one month, the battery will need to be removed and stored as follows.

1. Disconnect the negative lead first and then the positive lead.



1. Battery
2. Negative battery lead (black)
3. Positive battery lead (red)

2. Remove the battery, fully charge it, and then place it in a cool, dry place.

ECB00600

CAUTION:

Do not leave or store the battery on its side.

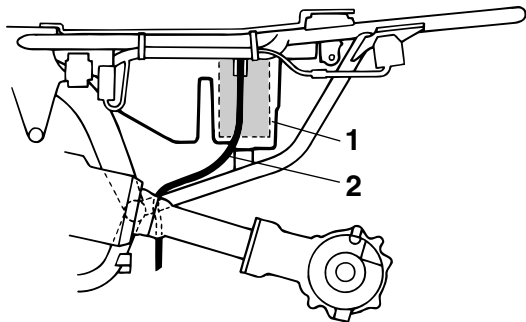
3. If the battery will be stored for more than two months, check the specific gravity of the electrolyte at least once a month and fully charge the battery whenever necessary.

To install the battery

NOTE: _____

Be sure the battery is fully charged.

1. Install the battery.
2. Connect the positive lead first, and then connect the negative lead.
3. Make sure that the breather hose is properly routed, in good condition, and not obstructed.



1. Battery
2. Battery breather hose

ECB00610

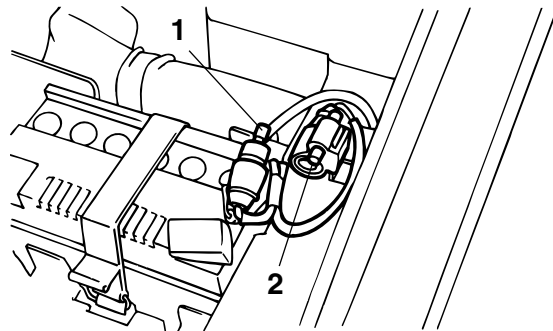
CAUTION: _____

If the breather hose is positioned in such a way

that the frame is exposed to electrolyte or gas expelled from the battery, the frame could suffer structural and external damages.

EBU25242

Replacing the fuse



1. Fuse
2. Spare fuse

The fuse holder is located under the seat. (See page 4-11.)

If the fuse is blown, replace it as follows.

1. Turn the key to "OFF" and turn off all electrical circuits.

CAUTION:

To prevent accidental short-circuiting, turn off the main switch when checking or replacing a fuse.

2. Remove the blown fuse, and then install a new fuse of the specified amperage.

Specified fuse:
5.0 A

⚠ WARNING

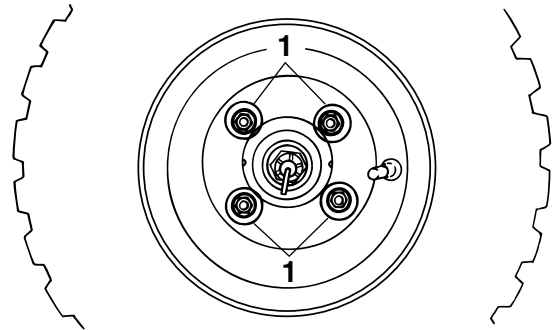
Always use a fuse of the specified rating, and never use a substitute object in place of the proper fuse. An improper fuse or a substitute object can cause damage to the electrical system, which could lead to a fire.

3. Turn the key to "ON" and turn on the electrical circuits to check if the devices operate.
4. If the fuse immediately blows again, have a Yamaha dealer check the electrical system.

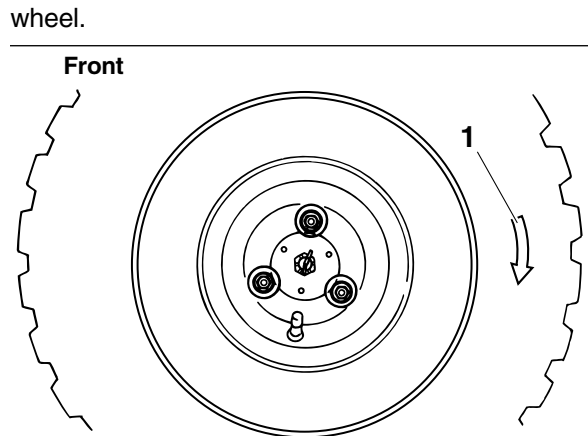
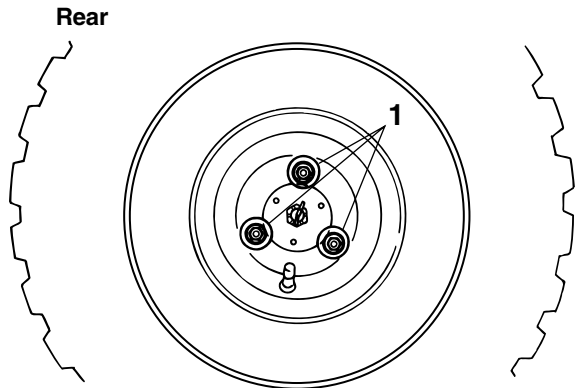
Removing a wheel

1. Loosen the wheel nuts.

Front



1. Wheel nut



1. Wheel nut

1. Arrow mark

2. Elevate the ATV and place a suitable stand under the frame.
3. Remove the nuts from the wheel.
4. Remove the wheel.

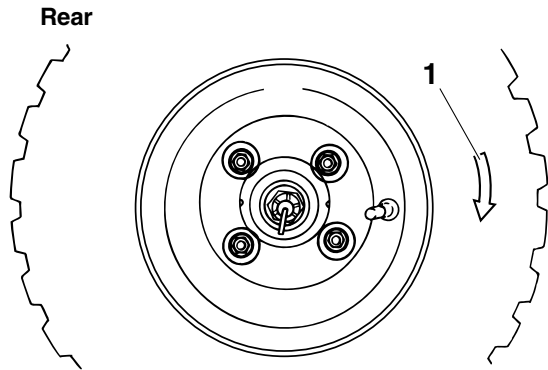
EBU27480

Installing a wheel

1. Install the wheel and the nuts.

NOTE: _____

When installing the wheel, make sure its arrow mark → points toward the rotating direction of the



1. Arrow mark

2. Lower the ATV to the ground.
3. Tighten the wheel nuts to the specified torques.

Tightening torques:

Front wheel nut:

28 Nm (2.8 m·kgf, 20 ft·lbf)

Rear wheel nut:

28 Nm (2.8 m·kgf, 20 ft·lbf)

EBU25720

Troubleshooting

Although Yamaha ATVs receive a thorough inspection before shipment from the factory, trouble may occur during operation. Any problem in the fuel, compression, or ignition systems, for example, can cause poor starting and loss of power.

The following troubleshooting chart represents a quick and easy procedure for checking these vital systems yourself. However, should your ATV require any repair, take it to a Yamaha dealer, whose skilled technicians have the necessary tools, experience, and know-how to service the ATV properly. Use only genuine Yamaha replacement parts. Imitation parts may look like Yamaha parts, but they are often inferior, have a shorter service life and can lead to expensive repair bills.

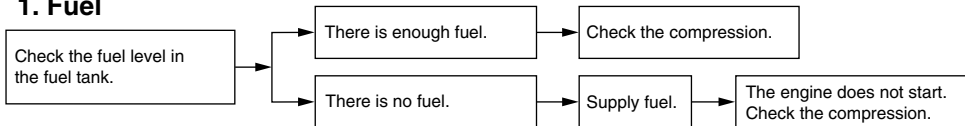
EWB02280

WARNING

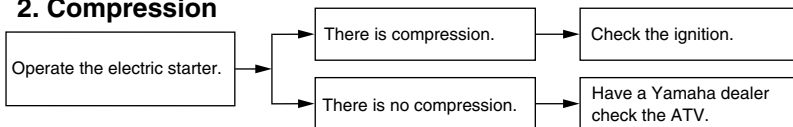
Do not smoke when checking the fuel system. Fuel can ignite or explode, causing severe injury or property damage. Make sure there are no open flames or sparks in the area, including pilot lights from water heaters or furnaces.

Troubleshooting chart

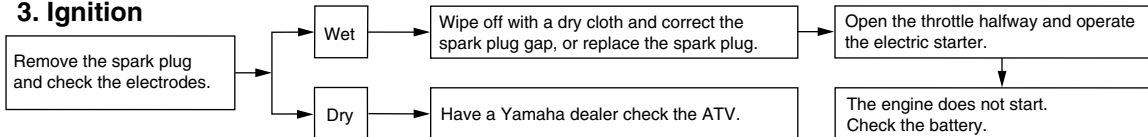
1. Fuel



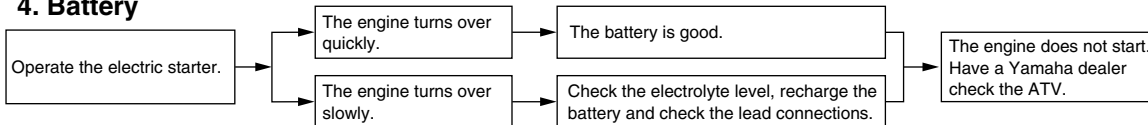
2. Compression



3. Ignition



4. Battery



CLEANING AND STORAGE

EBU25880

Cleaning

Frequent, thorough cleaning of your ATV will not only enhance its appearance but will improve its general performance and extend the useful life of many components.

1. Before cleaning the ATV:
 - a. Block off the end of the exhaust pipe to prevent water entry. A plastic bag and strong rubber band may be used.
 - b. Make sure the spark plug and all filler caps are properly installed.
2. If the engine case is excessively greasy, apply degreaser with a paint brush. Do not apply degreaser to the wheel axles.
3. Rinse the dirt and degreaser off with a garden hose. Use only enough pressure to do the job.

ECB00710

CAUTION:

Excessive water pressure may cause water seepage and deterioration of wheel bearings, brakes, transmission seals and electrical devices. Many expensive repair bills have resulted from improper high-pressure detergent

applications such as those available in coin-operated car washers.

4. Once most of the dirt has been hosed off, wash all surfaces with warm water and mild, detergent-type soap. An old toothbrush or bottle brush is handy for hard-to-reach places.
5. Rinse the ATV off immediately with clean water and dry all surfaces with a chamois, clean towel or soft absorbing cloth.
6. Clean the seat with a vinyl upholstery cleaner to keep the cover pliable and glossy.
7. Automotive type wax may be applied to all painted and chrome plated surfaces. Avoid combination cleaner-waxes. Many contain abrasives which may mar the paint or protective finish. When finished cleaning, start the engine and let it idle for several minutes.

EWB02310

WARNING

Wet brakes may have reduced stopping ability, increasing the chance of an accident. Test the brakes after washing. Apply the brakes several times at slow speeds to let friction dry out the

linings.

EBU25932

Storage

Short-term

Always store your ATV in a cool, dry place and, if necessary, protect it against dust with a porous cover.

ECB00720

CAUTION:

- **Storing the ATV in a poorly ventilated room or covering it with a tarp while it is still wet, will allow water and humidity to seep in and cause rust.**
 - **To prevent corrosion, avoid damp cellars, stables (because of the presence of ammonia) and areas where strong chemicals are stored.**
-

Long-term

Before storing your ATV for several months:

1. Follow all the instructions in the “Cleaning” section of this chapter.
2. Turn the fuel cock lever to “OFF”.
3. Drain the carburetor float chamber by loosening

the drain bolt; this will prevent fuel deposits from building up. Pour the drained fuel into the fuel tank.

4. Fill up the fuel tank and add fuel stabilizer (if available) to prevent the fuel from deteriorating.

Specified amount:

7.5 ml of stabilizer to each liter of fuel (or 1 oz of stabilizer to each gallon of fuel)

5. Perform the following steps to protect the cylinder, piston rings, etc. from corrosion.
 - a. Remove the spark plug cap and spark plug.
 - b. Pour a teaspoonful of engine oil into the spark plug bore.
 - c. Install the spark plug cap onto the spark plug, and then place the spark plug on the cylinder head so that the electrodes are grounded. (This will limit sparking during the next step.)
 - d. Turn the engine over several times with the starter. (This will coat the cylinder wall with oil.)
 - e. Remove the spark plug cap from the spark plug, and then install the spark plug and

the spark plug cap.

6. Lubricate all control cables and the pivoting points of all levers and pedals.
7. Check and, if necessary, correct the tire air pressure, and then block up the ATV so that all of its wheels are off the ground. Alternatively, turn the wheels a little every month in order to prevent the tires from becoming degraded in one spot.
8. Cover the muffler outlet with a plastic bag to prevent moisture from entering it.
9. Remove the battery and fully charge it. Store it in a cool, dry place and charge it once a month. Do not store the battery in an excessively cold or warm place [less than 0 °C (30 °F) or more than 30 °C (90 °F)]. For more information on storing the battery, see page 8-26.

9

NOTE:

Make any necessary repairs before storing the ATV.

SPECIFICATIONS

Dimensions:

- Overall length:
1537 mm (60.5 in)
- Overall width:
825 mm (32.5 in)
- Overall height:
915 mm (36.0 in)
- Seat height:
618 mm (24.3 in)
- Wheelbase:
1030 mm (40.6 in)
- Ground clearance:
75 mm (3.0 in)
- Minimum turning radius:
2300 mm (91 in)

Weight:

- With oil and fuel:
115.0 kg (254 lb)

Engine:

- Engine type:
Air cooled 4-stroke, SOHC
- Cylinder arrangement:
Forward-inclined single cylinder
- Displacement:
49.0 cm³

Bore × stroke:

39.0 × 41.4 mm (1.54 × 1.63 in)

Compression ratio:

10.30 :1

Starting system:

Electric starter

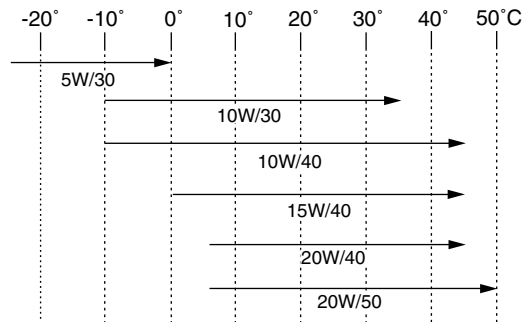
Lubrication system:

Wet sump

Engine oil:

Type:

SAE5W30 or SAE10W30 or SAE10W40 or SAE15W40
or SAE20W40 or SAE20W50



Recommended engine oil grade:

API service SG type or higher, JASO standard MA

Engine oil quantity:

Periodic oil change:

0.80 L (0.85 US qt) (0.70 Imp.qt)

Final gear oil:

Type:

SAE80 API GL-4 Hypoid gear oil

Quantity:

0.12 L (0.13 US qt) (0.11 Imp.qt)

Air filter:

Air filter element:

Wet element

Fuel:

Recommended fuel:

Regular unleaded gasoline only (EUR)

Unleaded gasoline only (AUS)(NZL)

Fuel tank capacity:

6.8 L (1.80 US gal) (1.50 Imp.gal)

Fuel reserve amount:

0.9 L (0.24 US gal) (0.20 Imp.gal)

Carburetor:

Manufacturer:

MIKUNI

Type x quantity:

VM16SH x 1

Spark plug (s):

Manufacturer/model:

NGK/CR7HSA

Spark plug gap:

0.6–0.7 mm (0.024–0.028 in)

Clutch:

Clutch type:

Wet, multiple-disc automatic

Transmission:

Primary reduction system:

Spur gear

Primary reduction ratio:

65/20 (3.250)

Secondary reduction system:

Shaft drive

Secondary reduction ratio:

19/18 × 34/10 (3.588)

Transmission type:

Constant mesh 1-speed

Operation:

Left hand operation

1st:

38/14 (2.714)

Chassis:

Frame type:

Steel tube frame

Caster angle:

1.0 °

Trail:

3.4 mm (0.13 in)

Front tire:

Type:

Tubeless

Size:

AT16 x 7-7

Manufacturer/model:

DUNLOP/KT145

Rear tire:

Type:

Tubeless

Size:

AT16 x 8-7

Manufacturer/model:

DUNLOP/KT145

Loading:

Maximum loading limit:

40.0 kg (88 lb)

(Total weight of rider, cargo, accessories, and tongue)

Tire air pressure (measured on cold tires):

Recommended:

Front:

20 kPa (2.9 psi) (0.20 kgf/cm²)

Rear:

20 kPa (2.9 psi) (0.20 kgf/cm²)

Minimum:

Front:

17 kPa (2.5 psi) (0.17 kgf/cm²)

Rear:

17 kPa (2.5 psi) (0.17 kgf/cm²)

Maximum:

Front:

23 kPa (3.3 psi) (0.23 kgf/cm²)

Rear:

23 kPa (3.3 psi) (0.23 kgf/cm²)

Front wheel:

Wheel type:

Panel wheel

Rim size:

7 x 5.5AT

Rear wheel:

Wheel type:

Panel wheel

Rim size:

7 x 6.5AT

Front brake:

Type:

Drum brake

Operation:

Right hand operation

Rear brake:

Type:

Drum brake

Operation:

Left hand operation

Front suspension:

Type:

Leading arm

Spring/shock absorber type:

Coil spring/oil damper

Wheel travel:

57 mm (2.3 in)

Rear suspension:

Type:

Swingarm

Spring/shock absorber type:

Coil spring/oil damper

Wheel travel:

56 mm (2.2 in)

Electrical system:

Ignition system:

CDI

Charging system:

AC magneto

Battery:

Model:

12N7D-3B

Voltage, capacity:

12 V, 7.0 Ah

Bulb voltage, wattage x quantity:

Neutral indicator light:

12 V, 1.7 W × 1

Fuses:

Main fuse:

5.0 A

CONSUMER INFORMATION

EBU26011

Identification numbers

Record the key identification number, vehicle identification number and model label information in the spaces provided below for assistance when ordering spare parts from a Yamaha dealer or for reference in case the ATV is stolen.

● KEY IDENTIFICATION NUMBER:

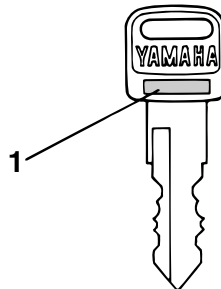
● VEHICLE IDENTIFICATION NUMBER:

● MODEL LABEL INFORMATION:

EBU26020

Key identification number

The key identification number is stamped into the key. Record this number in the space provided and use it for reference when ordering a new key.

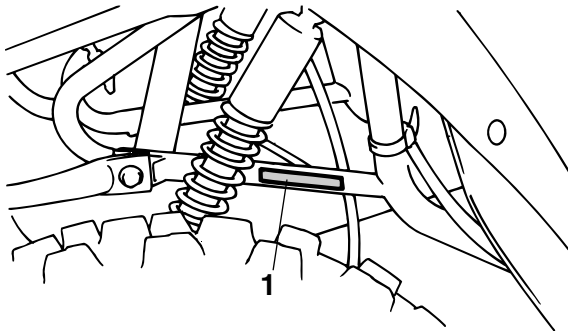


1. Key identification number

EBU26030

Vehicle identification number

The vehicle identification number is stamped into the frame.



1. Vehicle identification number

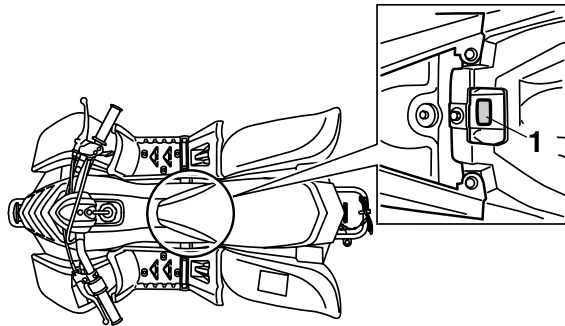
NOTE: _____

The vehicle identification number is used to identify your ATV.

EBU26050

Model label

The model label is affixed at the location in the illustration. Record the information on this label in the space provided. This information will be needed when ordering spare parts from a Yamaha dealer.



1. Model label

INDEX

A

- Accessories and loading 6-7
- Air filter element, cleaning 8-13

B

- Battery 5-6, 8-26
- Brake lever free play, adjusting the front 8-21
- Brake lever free play (rear), adjusting 8-23
- Brake lever, front 4-6
- Brake lever, rear 4-6
- Brake levers, checking and lubricating 8-25
- Brakes, front and rear 5-3
- Brake shoes, checking the front and rear 8-20

C

- Cables, checking and lubricating 8-24
- Carburetor, adjusting 8-18
- Chassis fasteners 5-6
- Choke 4-10
- Cleaning 9-1

D

- Drive select lever 4-7

E

- Engine break-in 6-5
- Engine, cold start 6-1
- Engine idling speed 8-18
- Engine oil 5-3, 8-9
- Engine, starting a warm 6-3

- Engine stop switch 4-2
- Engine stop switch with lanyard 4-2

F

- Final gear oil 5-3, 8-12
- Front knuckle pivots, lubricating 8-25
- Fuel 4-8, 5-3
- Fuel cock 4-9
- Fuel tank cap 4-7
- Fuse, replacing 8-28

H

- Handlebar switches 4-2

I

- Identification numbers 11-1
- Indicator light 4-1
- Instruments, lights and switches 5-6

K

- Key identification number 11-1

L

- Label locations 2-1

M

- Main switch 4-1
- Maintenance and lubrication chart 8-5
- Maintenance chart, emission control system 8-3
- Model label 11-2

N

- Neutral indicator light 4-1

O

Owner's manual and tool kit..... 8-1

P

Parking 6-5

Parking brake 4-6

Parking on a slope 6-6

Part locations 3-1

Pre-operation check list..... 5-1

R

Riding your ATV 7-1

S

Safety information 1-1

Seat 4-11

Shifting 6-3

Spark arrester, cleaning 8-17

Spark plug, checking 8-8

Specifications 10-1

Speed limiter 4-5

Start switch..... 4-2

Steering shaft, lubricating..... 8-26

Storage..... 9-2

T

Throttle cable free play, checking 8-19

Throttle lever 4-4, 5-4

Tire pressure, measuring 5-5

Tires 5-4

Tire wear limit..... 5-6

Troubleshooting 8-31

Troubleshooting chart 8-32

V

Valve clearance..... 8-19

Vehicle identification number 11-1

W

Wheel hub bearings, checking 8-25


Wheel, installing 8-30

Wheel, removing 8-29



YAMAHA MOTOR CO., LTD.

PRINTED ON RECYCLED PAPER

PRINTED IN JAPAN
2007.06-0.1x1 
(E)